

Yeoman
A NATURAL WARMTH



Wood, Multi-fuel, Gas and Electric stoves



From its humble origins over 25 years ago on a farm near Dartmoor, renowned for its cold winters, Yeoman has grown to become one of the UK's leading stove manufacturers. Today, we offer not only a wide selection of traditionally-styled woodburning, multi-fuel, gas and electric stoves, but also high-output boiler stoves through to contemporary stoves, with each model providing superb value for money.

The Yeoman Range...

Traditional Wood & Multi-Fuel Stoves..... 6 - 13

A comprehensive collection of classically designed stoves, incorporating the unmistakable atmosphere of a real log or smokeless fuelled fire. From the compact Exmoor model to the grander County, that true rural ambiance can be perfectly attained in rooms of all sizes.



CL Wood & Multi-fuel Stoves 14 - 23

For those with a more contemporary taste, the eye-catching CL range with clean geometric designs, brings woodburning and multi-fuel stoves right into the heart of 21st century living.



Traditional & CL High-Output Boiler Stoves 24 - 29

Complete home heating never looked so good. The latest additions to the Yeoman range, these five exceptionally efficient stoves not only heat the room they are in, but can also provide enough hot water to supply up to 19 radiators throughout the rest of the house. Traditional & Contemporary styles with freestanding and inset models.



Double-Sided Stoves 30 - 31

Truly the ultimate centre-piece, these exquisite stoves bring two rooms together with your choice of four timeless designs in both solid fuel and gas options.



Traditional Gas Stoves 32 - 43

When you want to combine the allure of a log or coal fire with the appeal of an instantly controllable source of heat, Yeoman offers a range of expertly crafted traditionally styled gas stoves that can offer you instant warmth at the flick of a switch. What's more, opt for a programmable remote control and your stove can be set to automatically turn on or off at times that suit your lifestyle!



CL Gas Stoves 44 - 47

With its subtle curving form, the CL Gas stoves offer a stylish contemporary look with the inviting atmosphere of a log fire. Also benefitting from the latest remote control system that allows complete control from the comfort of your sofa.



Electric Stoves 48 - 51

Incorporating our unique VeriFlame™ technology, the Yeoman Electric models boast a choice of glow & flame effects, individually hand-painted logs and full remote control. With superior realism and up to 2kW of heat output, a Yeoman Electric stove will always be a pleasure to come home to.



Wood, Multi-fuel, Gas and Electric Stoves

County with High Canopy

Wood & Multi-fuel Stoves

All Yeoman stoves are designed to burn wood and smokeless fuels and have been independently tested to exacting standards for both heating efficiency and emissions. The Exmoor, Exe, Devon, CL3 and CL5 models are also approved for the burning of wood in Smoke Control areas when fitted with a smoke control kit.



Wood – Wood is the better fuel in environmental terms being carbon neutral, as the amount of carbon dioxide released into the atmosphere is approximately the same as that absorbed by the tree during growth. It is also a renewable resource, particularly when derived from plantations and cultivated woodland. For optimum results, we recommend logs should be seasoned for 2 years or more to achieve a moisture content below 20%. This will not only give twice the output of freshly felled timber but help avoid a build up of tar in your flue. Furthermore, if you can obtain hardwood logs this is better still, as they will have around twice the calorific value of softwoods.



Solid fuels – anthracite and manufactured smokeless fuels can be burnt with the addition of a multi-fuel kit. Choose from either the economic Static Kit on the County and Double-Sided models or, for optimum performance, the external Riddling Kit on Exmoor, Exe, Devon and CL stoves, including high output boiler stoves. Please note, however, that petroleum based fuels must never be used on your stove.

Boiler Stoves

Several Yeoman Woodburning/Multi-fuel stoves are designed to be fitted with optional boiler systems and details of these can be found on appropriate pages. Additionally, Yeoman offer a selection of High-Output Boiler models that come with the boiler built in. Please see pages 24 - 29 for details.

Gas Stoves

All Yeoman gas stoves are available with natural gas or LPG and, depending on model, feature a highly realistic coal or log effect fire. Most of these highly efficient stoves are available as manual operation and have the option to upgrade to either a standard remote, allowing heat regulation once the pilot light has been lit manually, or a programmable remote with additional thermostatic & timer controls. The new CL Gas stoves are available with a choice of Yeoman's new standard or thermostatic remote control which is a fully programmable sequential remote that allows full control of your stove from ignition to extinguish.



Electric Stoves

A Yeoman can be as easy to install as plugging in and switching on! Featuring our unique VeriFlame™ technology with low energy LED illumination and hand painted fuel bed. With the heater discreetly located underneath, the remote control allows you to adjust the heat between off, 1kW and 2kW in addition to the VeriFlame™ effects.



Your Yeoman, Your Way...

Styling options

The look of your stove is very important. That is why Yeoman offers you the opportunity to personalise our stoves with a variety of styling options. According to model, these include flat top and high or low canopies, panoramic single doors, double doors with removable window crosses, brass handles, decorative cast top plates and plain or Tudor Rose air spinners.










**Information for boiler options is a guide only. Seek advice and a site survey from a qualified heating engineer before ordering.*

***All fires shown with this symbol boast the advantage of not normally requiring an air vent* where the air permeability is greater than 5.0m³/hr/m². Ventilation normally required is 550mm². Please discuss in full with your local retailer. *Requirements in the Republic of Ireland are different.*

Colour options

Colour is another option, with a choice of 4 paint finishes available for most stoves: Metallic Blue, Metallic Brown, Matt Black or Metallic Green. CL Stoves are finished in Jet Black Metallic†.



| Key to symbols | |  | Radiator Capabilities |
|---|-------------|---|------------------------------|
|  | Flat Top |  | Maximum Heat Output |
|  | Low Canopy |  | Boiler Output* |
|  | High Canopy |  | Vent not normally required** |

Five Year Warranty

Your Yeoman retailer will provide you with a Five Year Warranty for your new stove castings and a Two Year Warranty on steel parts and gas & electric 'engines' used in stoves and fires. Please note, these warranties exclude certain consumable and naturally

wearing parts such as grates, baffles, firebricks and glass. Full terms and conditions are on our website at www.yeoman-stoves.co.uk



Expert Retailer Network

To help you select the right stove for your home, you will find our useful reference symbols throughout the brochure. However, your Yeoman retailer will be pleased to provide any further information and advice you may require. We take great care to ensure that our stoves & fires are designed, tested and manufactured to the highest possible quality and safety standards. We are just as concerned to make certain that they are sold and installed correctly so that you enjoy years of pleasure from your purchase.

Accordingly, you will find our products are only available from experienced, independent retailers who will enable you to see a selection of models locally in their showrooms, often fully operational. These independent retailers will discuss your individual requirements both technical (such as sizing the heat output to your room and advising on your flue type) and design, and ensure that you select the most appropriate product for your home.

They will also be able to advise on or assist with the installation process as well as help provide any after sales support and servicing your appliance may require in the future.

Whilst we encourage our retailers to promote fireplace products and their outlets via the internet, we do not believe suitable levels of customer care and satisfaction can be obtained from nationwide online sales and we would strongly recommend that you consider this when undertaking your research and making a purchasing decision. Further, please be aware that we do not offer technical support (beyond our statutory responsibilities) to products bought via nationwide online sales, where this support would normally be offered by one of our qualified, independent retailers.





Exmoor - neat and compact for the smaller room

Exmoor

Wood and Multi-fuel Stoves



Particularly suited to smaller rooms, the classically styled Exmoor is designed to fit neatly into a traditional 'builder's opening'. The gently curved front and sides give this model a solid, well proportioned appearance

and one which can enhance both traditional and contemporary settings. A curved glass window also provides an excellent view of the flames.



- Woodburning and multi-fuel models
- External riddling†
- Clean Burn - the tertiary air system provides greater fuel efficiency (78% with wood)
- Yeoman Airwash System – to give a clearer view of the flames
- Optional brass handle
- Optional plain air spinners
- Top or rear flue – 128mm (5")
- Smoke Control Area Approved*
- Gas and Electric versions also available, see pages 32 - 33 and 48 - 49

† Multi-fuel version

* When fitted with Smoke Control Kit and used in accordance with operating instructions

| | | | | |
|--------|--|---|---|---------|
| | | | | |
| Exmoor | | ✓ | ✓ | × 4.9kW |

Available Colour Options





Exe - ultimate versatility with optional boiler

Exe

Wood and Multi-fuel Stoves



Compact yet versatile, the Exe offers you an extensive choice of styling options as well as an optional boiler that can provide domestic hot water. It features Yeoman's Clean Burn system too, so you will enjoy improved

fuel efficiency and a greater control of combustion. Furthermore, being a nominal 4.9kW output, no air vent is needed when the Exe is installed.



- Woodburning and multi-fuel models
- External riddling†
- Clean Burn - the tertiary air system provides greater fuel efficiency (Wood: 78%, Smokeless fuels: 85%)
- Yeoman Airwash System – to give a clearer view of the flames
- Single or double door options
- Optional brass handles
- Optional plain air spinners‡
- Removable Tudor Rose door crosses*
- Optional boiler – for domestic hot water or supplementary central heating
- Top or rear flue – 153mm (6")
- Choice of extras – including spark guard* and butterfly spindle flue damper
- Smoke Control Area Approved**
- Double-Sided and Gas versions also available, see pages 30 - 31 & 34 - 35

| Exe | ✓ | ✓ | × | 4.9kW | 1.6kW 8500BTU |
|-----|---|---|---|-------|------------------|

Available Colour Options



Blue Brown Black Green



† Multi-fuel version
* Double door only
‡ Single door only
** When fitted with Smoke Control Kit and used in accordance with operating instructions



Devon - at home in both traditional and modern settings

Devon

Wood and Multi-fuel Stoves



The Devon is a highly popular, medium sized stove which can be tailored to look equally at home in the fireplace of a modern house or the inglenook of a country cottage.

It also offers an impressive heat output of up to 9kW whether burning logs, anthracite or smokeless fuels.



- Woodburning and multi-fuel models
- External riddling†
- Clean Burn - the tertiary air system provides greater fuel efficiency (Wood: 81%, Smokeless fuels: 78%)
- Ycoman Airwash System – to give a clearer view of the flames
- Single or double door options
- Optional brass handles
- Optional plain air spinners[‡]
- Removable Tudor Rose door crosses*
- Optional boiler – for domestic hot water
- Top or rear flue – 153mm (6")
- Choice of extras – including spark guard* and butterfly spindle flue damper
- Smoke Control Area Approved**
- Double-Sided and Gas versions also available, see pages 30 - 31 & 38 - 39
- High output boiler version, pages 24 - 25

| |  |  |  |  |  |
|-------|---|---|---|---|---|
| Devon | ✓ | ✓ | ✓ | 9.0kW | 3.5kW 12000BTU |

Available Colour Options



Blue Brown Black Green



† Multi-fuel version
* Double door only
‡ Single door only
** When fitted with Smoke Control Kit and used in accordance with operating instructions

County

Wood and Multi-fuel Stoves



Largest of our traditional stoves, the County has the proportions to grace any inglenook and the performance to provide a magnificent focal point in larger rooms and open living spaces. The vast firebox is designed to accept

logs up to 460mm (18") long, so that you do not need to load fuel so often. It also has the potential to produce considerable heat output.



Please also see image on page 4

- Woodburning and multi-fuel models
- Static multi-fuel grate[†]
- Clean Burn - the tertiary air system provides greater fuel efficiency (Wood 78%; Smokeless fuels: 84%)
- Yeoman Airwash System – to give a clearer view of the flames
- Single or double door options
- Optional brass handles
- Optional plain air spinners[‡]
- Removable Tudor Rose door crosses^{*}
- Optional boiler – for domestic hot water
- Top or rear flue – 153mm (6")
- Optional butterfly spindle flue damper
- Large combustion chamber for logs up to 460mm (18") in length
- Double-Sided and integral high output boiler versions available, see pages 24 - 27 & 30 - 31

[†] Multi-fuel version
^{*} Double door only
[‡] Single door only

| |  |  |  |  |  |
|--------|---|---|---|---|---|
| County | ✓ | ✓ | ✓ | 13.0kW | 7.0kW 24000BTU |

Available Colour Options





County - our largest stove with an impressive heat output

CL3

Multi-fuel Stove



Designed to be equally at home in either a traditional setting or today's more modern interiors, Yeoman's woodburning and multi-fuel CL range of stoves are an eye-catching focal point. Furthermore, the CL range offers the very latest in heating technology creating high

efficiency and trend setting aesthetics. The smallest in the series, the CL3, makes a big impression despite its compact proportions. To complement the gentle curves of the stove front, there is a decorative cast top plate available for each of the CL stoves as an optional extra.



- Multi-fuel model
- External riddling
- Clean Burn – the tertiary air system provides greater fuel efficiency (up to 86%)
- Smoke Control Area Approved*
- Yeoman Airwash System – to give a clearer view of the flames
- Optional decorative cast top plates
- Top or rear flue – 128mm (5")
- Levelling system
- Stainless steel handle with self locking function
- Contemporary screen printed ceramic glass
- Integral raised plinth
- High performance firebox lining to enhance combustion process
- Heavy duty steel construction
- Primary air control
- Gas version also available, see pages 44 - 45

| | | |
|-----|---|---|
| |  |  |
| CL3 |  | 3.75kW |



Jet Black
Metallic



* When fitted with Smoke Control Kit and used in accordance with operating instructions

Registered Design: Community Design
Application Number: 001202600



CL3 - small stove, big impression



CL5 - high efficiency heating and 'modern traditional' styling

CL5

Wood and Multi-fuel Stove



With high efficiency and 'modern traditional' styling, the CL5 offers a fresh alternative for heating in today's homes. Along with the smaller CL3, the CL5 is approved for use in Smoke Control zones, so you can achieve carbon neutral heating with wood wherever your location! It is available in two versions: woodburning

only or multi-fuel which incorporates a riddling grate to allow the burning of smokeless fuels. In addition, both versions can be enhanced by the optional decorative cast top which provides even greater elegance with its subtle, curved form.



Please also see image on back cover

| | | |
|-----|---|---|
| |  |  |
| CL5 |  | 4.9kW |



Jet Black
Metallic



- Woodburning and Multi-fuel models
- External riddling[†]
- Clean Burn – the tertiary air system provides greater fuel efficiency (up to 85%)
- Yeoman Airwash System – to give a clearer view of the flames
- Smoke Control Area Approved*
- Optional decorative cast top plates
- Top or rear flue – 128mm (5")
- Levelling system
- Stainless steel handle with self locking function
- Contemporary screen printed ceramic glass
- Integral raised plinth
- High performance firebox lining to enhance combustion process
- Heavy duty steel construction
- Primary air control
- Gas version also available, see pages 46 - 47

[†] Multi-fuel version

* When fitted with Smoke Control Kit and used in accordance with operating instructions

Registered Design: Community Design
Application Number: 001202600

CL8

Wood and Multi-fuel Stove





The largest of the CL range, the CL8 is designed to provide high efficiency heating as well as creating an outstanding focal point for your living space. Choose from either the woodburning only model or the multi-

fuel version, the latter incorporating a riddling grate to allow you to burn smokeless fuels. An optional decorative cast top is also available to further enhance it's already impressive visual impact.



- Woodburning and Multi-fuel models
- External riddling†
- Clean Burn – the tertiary air system provides greater fuel efficiency (up to 81%)
- Yeoman Airwash System – to give a clearer view of the flames
- Optional decorative cast top plates
- Top or rear flue – 153mm (6")
- Levelling system
- Stainless steel handle with self locking function
- Contemporary screen printed ceramic glass
- Integral raised plinth
- High performance firebox lining to enhance combustion process
- Heavy duty steel construction
- Primary air control
- High output boiler version, pages 28 - 29

† Multi-fuel version

| | | |
|-----|---|---|
| |  |  |
| CL8 | ✓ | 8kW |



Jet Black
Metallic



Please also see image on page 2

Registered Design: Community Design
Application Number: 001202600



CL8 - outstanding focal point for your living space

CL7 Inset

Multi-fuel Inset Fire





The CL7 inset is the first contemporary inset fire in the Yeoman range and expands the opportunities to incorporate the highly desirable decorative styling of the CL range into a larger variety of homes and interiors.

Convenient and highly efficient, the cutting edge Airwash System keeps the window clear so that you can always enjoy the atmospheric flicker of the CL7 inset's superb flame picture.



- Multi-fuel
- External riddling
- Clean Burn – the tertiary air system provides greater fuel efficiency (up to 87%)
- Yeoman Airwash System – to give a clearer view of the flames
- Smoke Control Area Approved*
- Top flue exit only– 128mm (5")
- Stainless steel handle with self locking function
- Contemporary screen printed ceramic glass
- Integral raised plinth
- High performance firebox lining to enhance combustion process
- Heavy duty steel construction
- Primary air control
- High output boiler version, pages 24 & 29

| | | |
|-----------|---|---|
| |  |  |
| CL7 Inset | ✓ | 7kW |

* When fitted with Smoke Control Kit and used in accordance with operating instructions

Registered Design: Community Design
Application Number: 001202600



Jet Black
Metallic





CL7 Inset - modern style and space saving

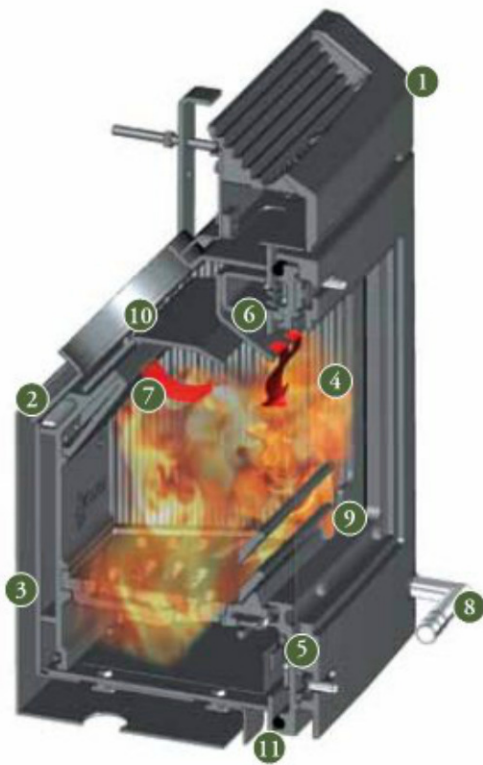
CL Milner

Multi-fuel Inset Fire



The CL Milner has been designed with high performance and ease of installation in mind. The CL Milner has the ability to be installed into a 16" - 18" wide and 20" - 22" high fireplace without the need to remove the Milner Brick; meaning that it can be easily secured and sealed

into an existing chimney without the requirement for any building work making it cheaper to install. There is also no need for a flue liner, therefore if your chimney is in good condition and has been swept it can generally be fitted in under an hour!






CL Milner Design Features

- 1 5mm heavy duty steel construction
- 2 Easy fit
- 3 Specifically designed for 16" and 18" Milner brick openings
- 4 High performance firebox lining to enhance combustion process
- 5 Cast iron air-tight door with primary air control lever
- 6 Yeoman Airwash System – to give a clearer view of the flames
- 7 Clean Burn – the secondary air system provides greater fuel efficiency (up to 76%)
- 8 Stainless steel handle with self locking function
- 9 Contemporary screen printed ceramic glass
- 10 Top flue exit only – 152mm (6")
- 11 Adjustable secondary air control
- 12 Smoke Control Area Approved* (not illustrated)

Registered Design: Community Design
Application Number: 001202600

* When fitted with Smoke Control Kit and used in accordance with operating instructions

| | | |
|-----------|---|---|
| |  |  |
| CL Milner |  | 5kW |



Jet Black
Metallic





CL Milner – quick and hassle-free installation

High-Output Boilers

Multi-fuel Boiler Stoves

Five models within the range have been specifically designed to supply your domestic hot water and central heating requirements or augment your existing heating system via 'link up' technology. Whichever your choice, you will enjoy all the atmosphere of a real fire and exceptional heating performance for other areas of your home.




When providing hot water and central heating, each stove is capable of feeding an average 8000BTU hotwater cylinder and from 8 up to 19 radiators. The exact number of radiators will depend upon how many rooms you wish to heat and sizes of those rooms. Radiators also come in a variety of sizes/capacities but, for example, a typical 400mm high x 1000mm wide, single panel radiator requires 2500BTU/hr. You should always consult a qualified heating engineer to ensure the stove can meet your requirements.

Alternatively, you can 'link up' a Yeoman High-Output Boiler with your existing or proposed heating system to reduce your reliance on gas or oil and help decrease overall heating fuel costs. There are ways to link with conventional oil or gas central heating, gas or oil sealed heating systems, combi boilers, underfloor heating and even solar panels to provide flexible and cost-effective solutions. Yeoman produces a 'link up' guide showing typical arrangements and covering some frequently



asked questions. You may find it useful to download this from www.yeoman-stoves.co.uk/linkup before discussing your requirements with a qualified heating engineer.

All Yeoman High-Output Boiler stoves are designed for multi-fuel use and incorporate an externally operated riddling grate. This is because solid mineral fuels tend to provide greater calorific values. Should you wish to reduce your CO₂ emissions then you can also burn a combination of smokeless fuels and logs together. However, if Woodburning only is your preference, you can still achieve good performance but, as logs burn best with slightly different firebox characteristics, we recommend you purchase the optional log tray which replaces the riddling system.

| |  |  |  |  |
|-------------|---|---|---|---|
| Devon 50HB | ✓ | 13.0kW | 10.0kW 34,000BTU | 9 ^Δ |
| County 60HB | ✓ | 18.0kW | 13.0kW 45,000BTU | 15 ^Δ |
| County 80HB | ✓ | 21.0kW | 18.0kW 62,000BTU | 19 ^Δ |
| CL8HB | ✓ | 13.0kW | 10.0kW 34,000BTU | 9 ^Δ |
| CL7NHB | ✓ | 11.0kW | 8.8kW 30,000BTU | 8 ^Δ |

Devon and County Colour Options



Blue Brown Green Black

CL7NHB and CL8HB Colour



Jet Black
Metallic



^Δ Includes 8000 BTU allowance for hot water cylinder.

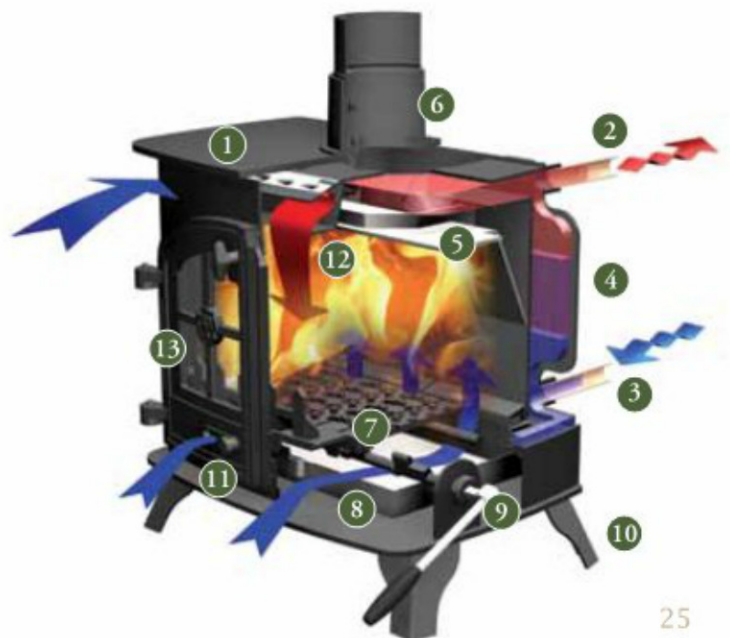
^{*} Please see comments on radiator capabilities above and on page 26 and 29, as these are a guide only.



Devon 50HB

Devon and County Boiler Design Features

- 1 5mm and 10mm heavy duty steel body.
- 2 Excellent heat output to water when burning solid fuels or wood.
- 3 4 x 1" BSP boiler tappings for flexible efficient connection to your hot water circuits.
- 4 Extensive water jacket on 4 sides of stove to ensure maximum transmission of heat to water.
- 5 Highly developed boiler flue baffle system to ensure maximum heating efficiency.
- 6 Top or rear flue exit.
- 7 Specially designed reciprocating grate ensures effective removal of ash from the fuel bed.
- 8 Large ash collection tray.
- 9 Discreet external riddling socket, with removable tool.
- 10 Levelling system in each foot to ensure complete stability on uneven surfaces.
- 11 Primary air controls to manually adjust the running temperatures.
- 12 Airwash helps to keep the glass clear and to control the running temperature when burning wood.
- 13 Removable Tudor Rose door crosses.
- 14 Optional thermostatic control to maintain desired running temperatures (not illustrated).
- 15 Optional woodburning tray (not illustrated).



High-Output Boilers

Devon and County Multi-fuel Boiler Stoves



| Key Facts: | Devon 50HB | County 60HB | County 80HB |
|---|--|--|--|
| Multi-fuel with external riddling | ✓ | ✓ | ✓ |
| Airwash | ✓ | ✓ | ✓ |
| Nominal heat output to room | 4.9kW | 7.0kW | 7.0kW |
| Nominal heat output to boiler | 8.2kW | 11.0kW | 15.0kW |
| Maximum system rating | 10kW (34,000BTU) | 13kW (45,000BTU) | 18kW (62,000BTU) |
| Radiator capabilities - example No. of 2500BTU radiators + 8000BTU cylinders* | 9 radiators | 15 radiators | 19 radiators |
| Maximum log length | 15 ¹ / ₄ " (400mm) | 19 ¹ / ₂ " (500mm) | 23 ¹ / ₂ " (600mm) |
| Optional log tray | ✓ | ✓ | ✓ |
| Flue outlet | 6" top or rear | 6" top or rear | 6" top or rear |
| Choice of four colours | ✓ | ✓ | ✓ |
| Optional thermostat | ✓ | ✓ | ✓ |

* Please note that radiator capabilities are a guide only. We strongly recommend you have a site survey and advice from an appropriately qualified heating engineer before ordering.



County 80HB - exceptional output for whole house heating



CL8HB - complete home heating with cutting edge style!

High-Output Boilers

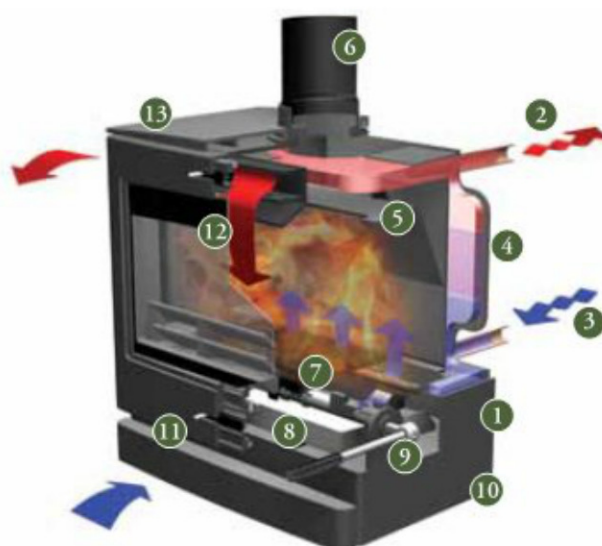
CL Multi-fuel Boiler Stoves



CL Boiler Design Features

- 1 5mm and 8mm heavy duty steel body.
- 2 Excellent heat output to water when burning solid fuels or wood.
- 3 4 x 1" BSP boiler tappings for flexible efficient connection to your hot water circuits.
- 4 Extensive water jacket on 4 sides of stove to ensure maximum transmission of heat to water.
- 5 Highly developed boiler flue baffle system to ensure maximum heating efficiency.
- 6 Top or rear flue exit (CL8HB), Top flue exit (CL7NHB).
- 7 Specially designed reciprocating grate ensures effective removal of ash from the fuel bed.
- 8 Large ash collection tray.
- 9 Discreet external riddling socket, with removable tool.
- 10 Levelling system to ensure complete stability on uneven surfaces (CL8HB).
- 11 Primary air controls to manually adjust the running temperatures.
- 12 Airwash helps to keep the glass clear and to control the running temperature when burning wood.
- 13 Optional cast iron top plates in top & rear flue (CL8HB).

- 14 Optional thermostatic control to maintain desired running temperatures (not illustrated).
- 15 Optional woodburning tray (not illustrated).
- 16 Stainless steel door handle, with self-locking function (not illustrated).



Registered Design: Community Design
Application Number: 001202600

Key Facts:

| | CL7NHB | CL8HB |
|---|--|--|
| Multi-fuel with external riddling | ✓ | ✓ |
| Airwash | ✓ | ✓ |
| Nominal heat output to room | 4.0kW | 4.9kW |
| Nominal heat output to boiler | 7.4kW | 8.2kW |
| Maximum system rating | 8.8kW (30,000BTU) | 10kW (34,000BTU) |
| Radiator capabilities - example No. of 2500BTU radiators + 8000BTU cylinders* | 8 radiators | 9 radiators |
| Maximum log length | 12 ³ / ₄ " (325mm) | 15 ³ / ₄ " (400mm) |
| Optional log tray | ✓ | ✓ |
| Flue outlet | 5" top | 6" top or rear |
| Optional thermostat | ✓ | ✓ |
| Optional decorative cast top plate (top & rear flue versions) | × | ✓ |

*Please note that radiator capabilities are a guide only. We strongly recommend you have a site survey and advice from an appropriately qualified heating engineer before ordering.



Exe Double-Sided - the warming heart of your home

Double-Sided

Wood, Multi-fuel and Gas Stoves

There can be few sights as inviting or reassuringly evocative, especially on a cold winter's night, as the roaring fire of a Yeoman double-sided stove turning two rooms into the warming heart of your home. With a Yeoman Double you enjoy twice the stove. Doors front and back are designed to open into adjoining rooms with one central chimney. You can choose from Exe, Devon and County models and from single or double

depth versions. Each model also has a number of styling options to complement your decor. In addition to the wood/multi-fuel stoves, the Devon double, single depth is available with the convenience of a highly realistic, gas log effect fire. Opt for the remote control and you can even adjust the flames and heat from the comfort of your favourite armchair or sofa.



County Double-Sided

Solid Fuel

- Top flue - 152mm (6")
- Suitable for burning wood or multi-fuel[#]
- Yeoman Airwash System – to give a clearer view of the flames
- Optional butterfly spindle flue damper
- Optional spark guards*
- Tudor rose or plain air spinners[◇]
- Single or double depth versions (depending on model)

Gas

- Conventional top flue - 128mm (5")
- Superb log effect fire
- Variable heat output
- Optional remote control
- Natural gas or LPG



Left: Standard
Right: Programmable

All versions

- Removable Tudor Rose door crosses*
- Optional brass handles
- Single or double door options (depending on model)

* Double door - Devon & Exe only. County has crosses, but no spark guard
[◇] Single door only
[#] With the use of a static multi-fuel kit (except County Double Depth which is woodburning only)

Available Colour Options



Blue Brown Black Green



| | Depth | Doors | | | | | Gas Type | Nominal Gas Input | Supply Pressure |
|--------------|--------|--------|---|---|---|---------|----------|-------------------|-----------------|
| Exe | Double | 1 or 2 | ✓ | × | × | 11.0kW | n/a | n/a | n/a |
| Devon | Single | 1 or 2 | ✓ | ✓ | × | 9.0kW | n/a | n/a | n/a |
| Devon | Single | 2 | × | × | ✓ | 9.0kW | n/a | n/a | n/a |
| Devon | Double | 1 or 2 | ✓ | ✓ | × | 13.0kW | n/a | n/a | n/a |
| Devon | Double | 2 | × | × | ✓ | 13.0kW | n/a | n/a | n/a |
| County | Single | 2 | ✓ | ✓ | ✓ | 15.0kW | n/a | n/a | n/a |
| County | Double | 2 | ✓ | ✓ | ✓ | 22.0kW | n/a | n/a | n/a |
| Devon Gas CF | Single | 1 or 2 | × | × | ✓ | 5.0kW** | NG | 6.9kW | 20mb |
| Devon Gas CF | Single | 1 or 2 | × | × | ✓ | 5.0kW** | LPG | 6.9kW | 37mb |

** Output for guidance only and is dependent on gas type and flue variation

Exmoor

Gas Stoves



This popular model combines traditional charm with modern technology to bring you a gas stove that can be installed into almost any room - even one that does not have a chimney. Further, its highly realistic fire provides up to 2.6kW

of adjustable heat, whether you opt for manual or remote controls, so it's ideal to take the chill away from those long winter days and nights.



- Conventional and balanced flue log effects
- Radiant heat to quickly warm your room
- Remote control options
- Variable heat output 1.5 – 2.6kW
- Up to 81% efficient
- Optional brass handle
- Top or rear flue (conventional class 1 or 2) - 128mm (5") Rear flue only (balanced) - 153mm (6")
- Natural gas or LPG
- Wood, Multi-fuel and Electric versions also available, see pages 6 - 7 and 48 - 49

Remote Control Options



Left: Standard
Right: Programmable

Available Colour Options



Blue Brown Black Green



| | | | | Gas Type | Nominal Gas Input | Supply Pressure | Fire Effect |
|--------------------------------|---|---|--------|----------|-------------------|-----------------|-------------|
| Exmoor Gas CF | ✓ | ✓ | 2.6kW* | NG | 3.40kW | 20mb | Log |
| Exmoor Gas CF | ✓ | ✓ | 2.4kW* | LPG | 3.20kW | 37mb | Log |
| Exmoor Gas BF (Rear flue only) | ✓ | ✓ | 2.6kW* | NG | 3.20kW | 20mb | Log |
| Exmoor Gas BF (Rear flue only) | ✓ | ✓ | 2.6kW* | LPG | 3.20kW | 37mb | Log |

* Output for guidance only and is dependent on gas type and flue variation



Exmoor Gas - a small stove with big appeal

Exe

Gas Stoves



With highly realistic log fire effect and glowing embers, the medium sized Exe will become an inviting centrepiece in your living room. Traditionally styled but with the versatility to feature in the most contemporary of

homes, the single door Exe combines time honoured design and craftsmanship with ultra-modern heating convenience and efficiency.



- Conventional and balanced flue log effects
- Radiant heat to quickly warm your room
- Remote control options
- Variable heat output 1.9 – 3.5kW
- Up to 81% efficient
- Optional brass handle
- Low canopy version available
- Natural gas or LPG
- Top or rear flue (conventional class 1 or 2) - 128mm (5") (balanced) - 153mm (6")
- Woodburning and Multi-fuel versions also available, see pages 8 - 9

| |  |  |  | Gas Type | Nominal Gas Input | Supply Pressure | Fire Effect | |
|------------|---|---|---|----------|-------------------|-----------------|-------------|-----|
| Exe Gas CF |  | ✓ | ✓ | 3.4kW* | NG | 4.55kW | 20mb | Log |
| Exe Gas CF |  | ✓ | ✓ | 3.4kW* | LPG | 4.55kW | 37mb | Log |
| Exe Gas BF |  | ✓ | ✓ | 3.5kW* | NG | 4.3kW | 20mb | Log |
| Exe Gas BF |  | ✓ | ✓ | 3.5kW* | LPG | 4.3kW | 37mb | Log |

* Output for guidance only and is dependent on gas type and flue variation

Remote Control Options



Left: Standard
Right: Programmable

Available Colour Options



Blue Brown Black Green





Exe Gas - Compact and versatile

Exminster

Gas Stoves



With a comprehensive choice of styling options the Exminster Gas makes an impressive focal point in any type of room from a traditional cottage to a newly-built, contemporary home.

It also comes with a choice of highly realistic log or coal-effect fires and the option of manual or remote controls.



- Conventional flue
- Realistic coal and log effects
- Radiant heat to quickly warm your room
- Remote control options
- Variable heat output 1.5 – 4.5kW
- 73% efficient
- Flat top, low & high canopy options
- Optional brass handles
- Single or double doors
- Removable Tudor Rose door crosses**
- Optional plain air spinners^Δ
- Top or rear flue (class 1 or class 2) - 128mm (5")
- Natural gas or LPG

** Double door only Δ Single door only

Remote Control Options



Left: Standard
Right: Programmable

Available Colour Options



| | | | | | Gas Type | Nominal Gas Input | Supply Pressure | Fire Effect |
|------------------|---|---|---|--------|----------|-------------------|-----------------|-------------|
| Exminster Gas CF | ✓ | ✓ | ✓ | 4.5kW* | NG | 6.1kW | 20mb | Coal or Log |
| Exminster Gas CF | ✓ | ✓ | ✓ | 4.2kW* | LPG | 5.7kW | 37mb | Coal or Log |

* Output for guidance only and is dependent on gas type and flue variation



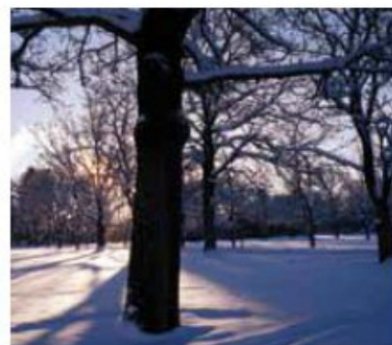
Exminster Gas - convenient and efficient



Devon Gas - superb heating performance

Devon

Gas Stoves



Offering you superb heating performance and an authentic real fire look, with glowing coals and dancing flames, the Devon comes with the optional convenience

of a remote control. It has a balanced flue operation too, so there is not even a need for a chimney.



- Balanced flue only
- Realistic coal effect
- Radiant heat to quickly warm your room
- Remote control options
- Variable heat output 1.5 – 5.6kW
- 80% efficient
- Optional brass handles
- Single or double doors
- Removable Tudor Rose door crosses**
- Optional plain air spinners[◇]
- Top or rear flue - 153mm (6")
- Natural gas or LPG
- Wood, Multi-fuel and Double-Sided versions also available, see pages 10 -11 and 30 - 31

** Double door only ◇ Single door only

Remote Control Options



Left: Standard
Right: Programmable

Available Colour Options



Blue Brown Black Green

| | | | | | Gas Type | Nominal Gas Input | Supply Pressure | Fire Effect |
|--------------|---|---|---|--------|----------|-------------------|-----------------|-------------|
| Devon Gas BF | ✓ | × | ✓ | 5.6kW* | NG | 7.0kW | 20mb | Coal |
| Devon Gas BF | ✓ | × | ✓ | 4.8kW* | LPG | 6.0kW | 37mb | Coal |

* Output for guidance only and is dependent on gas type and flue variation

Dartmoor

Gas Stoves



Yeoman's Dartmoor gas stove not only offers you even more choice but also features a highly realistic log effect. Just as importantly, it is a highly efficient room heater with up to 5.3kW of comfort available at the turn of a

switch. Furthermore, the Dartmoor is available in both conventional flue and balanced flue versions with a wide choice of styling options to help you tailor it to your exact requirements, including the option of a high canopy.



- Conventional and balanced flue log effects
- Radiant heat to quickly warm your room
- Remote control options
- Variable heat output 2.5 – 5.3kW
- Up to 82% efficient
- Single or double doors
- Optional brass handle^o
- Removable Tudor Rose door crosses**
- Top or rear flue - conventional flue class 1 or 2 128mm (5"); balanced flue 153mm (6") (top exit requires decorative flue collar)
- Natural gas or LPG
- Electric version also available, see page 50 - 51

** Double door only ^o Single door only

| | | | | | Gas Type | Nominal Gas Input | Supply Pressure | Fire Effect |
|-----------------|---|---|---|--------|----------|-------------------|-----------------|-------------|
| Dartmoor Gas CF | ✓ | × | ✓ | 5.3kW* | NG | 6.60kW | 20mb | Log |
| Dartmoor Gas CF | ✓ | × | ✓ | 5.1kW* | LPG | 6.40kW | 37mb | Log |
| Dartmoor Gas BF | ✓ | × | ✓ | 5.3kW* | NG | 6.45kW | 20mb | Log |
| Dartmoor Gas BF | ✓ | × | ✓ | 4.9kW* | LPG | 6.00kW | 37mb | Log |

* Output for guidance only and is dependent on gas type and flue variation

Remote Control Options



Left: Standard
Right: Programmable

Available Colour Options





Dartmoor Gas - outstanding log effect for increased realism

Dartmouth Inset

Gas Fires

Offering the familiar 'family look' of Yeoman stoves and the latest high-efficiency heating, the Dartmouth is an inset convector gas fire that very much blends traditional appeal with modern convenience. At its heart is the latest high efficiency gas combustion system that has

been specially developed by our sister company Gazco to combine the exceptional heat output with much improved fuel economy (gas consumption is lower so saving you money). In fact, the balanced flue version is an outstanding 86% efficient.



- Manual control
- Conventional and balanced flue options
- Realistic coal effect fire
- Convected and radiant heat to quickly warm your room
- Variable heat output 1.8 - 3.9kW
- Up to 86% efficient
- Flue - conventional flue class 1 or 2 128mm (5"); balanced flue 153mm (6")
- Natural gas or LPG

| |  |  | Gas Type | Nominal Gas Input | Supply Pressure | Fire Effect | |
|------------------------|---|---|----------|-------------------|-----------------|-------------|------|
| Dartmouth Inset Gas CF |  | ✓ | 3.9kW* | NG | 5.1kW | 20mb | Coal |
| Dartmouth Inset Gas CF |  | ✓ | 3.6kW* | LPG | 4.8kW | 37mb | Coal |
| Dartmouth Inset Gas BF |  | ✓ | 3.4kW* | NG | 4.0kW | 20mb | Coal |
| Dartmouth Inset Gas BF |  | ✓ | 3.4kW* | LPG | 4.0kW | 37mb | Coal |

* Output for guidance only and is dependent on gas type and flue variation



Black



Dartmouth Inset Gas - with high efficiency technology



CL3 Gas – highly realistic log effect

CL3

Gas Stoves



The CL3 is the smallest of the contemporary gas stoves from Yeoman. Despite its compact dimensions, underneath the smooth, modern lines of the CL3 lies a powerful, high efficiency stove with a highly realistic log effect fuel bed and a choice of a standard or state

of the art thermostatic remote control system. Fully programmable, the thermostatic remote allows the CL3 to be set to automatically switch on or off and change temperature according to your exact requirements.



- Conventional and balanced flue options
- Realistic log effect
- Radiant heat to quickly warm up your room
- Remote control options
- Variable heat output 1.5 - 2.7kW
- Up to 80% efficient
- Integral raised plinth and curved top plate
- Top or rear flue (conventional) - 127mm (5")
Rear flue only (balanced) - 153mm (6")
- Natural gas or LPG
- Multi-fuel version also available see pages 14 - 15

| |  |  | Gas Type | Nominal Gas Input | Supply Pressure | Fire Effect | |
|-----------------------------|---|---|----------|-------------------|-----------------|-------------|-----|
| CL3 Gas CF |  | ✓ | 2.7kW* | NG | 3.4kW | 20mb | Log |
| CL3 Gas CF |  | ✓ | 2.5kW* | LPG | 3.2kW | 37mb | Log |
| CL3 Gas BF (Rear Flue only) |  | ✓ | 2.6kW* | NG | 3.2kW | 20mb | Log |
| CL3 Gas BF (Rear Flue only) |  | ✓ | 2.6kW* | LPG | 3.2kW | 37mb | Log |

* Output for guidance only and is dependent on gas type and flue variation

Remote Control Options



Left: Standard
Right: Thermostatic



Jet Black
Metallic



CL5

Gas Stoves



The larger of the two contemporary CL gas stoves from Yeoman, the CL5 has a highly realistic log effect fuel bed and superb flame picture to create the same inviting warmth as a woodburning stove, but with all the convenient features of gas. All of this is controlled by a choice of either a standard or thermostatic remote

control. The thermostatic remote allows you to provide your home with the perfect amount of heat, exactly when you want it to. With a subtle curving door and complementary curved top plate, a CL gas stove can offer a stylish centrepiece for homes both modern and traditional alike.



- Conventional and balanced flue options
- Realistic log effect
- Radiant heat to quickly warm up your room
- Remote control options
- Variable heat output 1.9 - 3.5kW
- Up to 80% efficient
- Integral raised plinth and curved top plate
- Top or rear flue (balanced) - 153mm (6") (conventional) - 127mm (5")
- Natural gas or LPG
- Wood and multi-fuel versions also available see pages 16 - 17

Remote Control Options






Left: Standard
Right: Thermostatic



Jet Black
Metallic



| |  |  | Gas Type | Nominal Gas Input | Supply Pressure | Fire Effect |
|------------|---|---|----------|-------------------|-----------------|-------------|
| CL5 Gas CF |  | ✓ 3.5kW* | NG | 4.55kW | 20mb | Log |
| CL5 Gas CF |  | ✓ 3.4kW* | LPG | 4.35kW | 37mb | Log |
| CL5 Gas BF |  | ✓ 3.4kW* | NG | 4.30kW | 20mb | Log |
| CL5 Gas BF |  | ✓ 3.4kW* | LPG | 4.30kW | 37mb | Log |

* Output for guidance only and is dependent on gas type and flue variation



CL5 Gas - with high efficiency technology



Exmoor Electric - complete operation by remote control

Exmoor

Electric Stove



Available in traditional Matt Black, the ever popular Exmoor stove perfectly combines the classic good looks of a woodburner with the ease of an Electric stove. At its heart is the unique VeriFlame™ technology which allows you to choose from 3 brightness levels and blue

or orange flame setting to match your mood exactly – and everything is operated from the remote control to save you bending over! Furthermore, you can select fire effect only; fire effect + 1kW heat; and fire effect + 2kW heat according to your heating needs.



- Realistic hand-painted log effect
- VeriFlame™ technology
- Low energy LED illumination
- Remote control as standard
- Optional brass handle
- Matt Black
- 13 amp socket needed
- Variable heat output 1.0 - 2.0kW
- No flue, chimney or air vent required
- Wood, multi-fuel and gas versions also available, see pages 6 - 7 and 32 - 33



Remote control supplied

| | | |
|---|---|---|
| |  |  |
| Exmoor Electric  | ✓ | 2.0kW |


VeriFlame
TECHNOLOGY



Matt Black

Dartmoor

Electric Stove



Using the same cast iron door and heavy gauge steel body as the Gas Dartmoor's, the electric versions are brought alive with VeriFlame™ technology. This means you will enjoy a choice of flame and glow effects from a remarkably authentic log-effect fire that creates a superb focal point in your room. All this and a choice of single or double doors to suit your exact styling requirements!

The heater is discreetly located under the stove but, as all functions can be operated from the complementary remote control; there is no stooping or crouching. In fact you can alter the VeriFlame™ effect or adjust the heat output whilst relaxing in your favourite chair!



- Realistic hand-painted log effect
- VeriFlame™ technology
- Low energy LED illumination
- Remote control as standard
- Matt Black
- Single or double doors
- Removable Tudor rose door crosses**
- Optional brass handle◊
- 13 amp socket needed
- Variable heat output 1.0 - 2.0kW
- No flue, chimney or air vent required
- Gas version also available, see page 40 - 41

** Double door only
◊ Single door only



Remote control supplied



Matt Black

| | | | |
|-------------------|--|---|-------|
| | | | |
| Dartmoor Electric | | ✓ | 2.0kW |

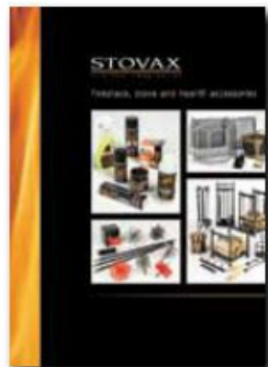




Dartmoor Electric - authentic log effect for ultimate realism

Accessories & Flue Pipe

Fireplace, Stove & Hearth Accessories



Yeoman is a member of the Stovax Group which manufactures and distributes many other high quality fireplace, stove care and accessory products, as well as solid fuel, gas and electric fires and stoves along with traditional range cookers. To maximise the enjoyment from your woodburning or multi-fuel stove, please ask your Yeoman retailer for a Stovax accessories brochure or view the complete range online at www.stovax.com.



Professional XQ™ Chimney Systems



The Stovax Group also offer a comprehensive range of stove & fireplace chimney systems, the Stovax Professional XQ™ collection. Crafted from 304L grade stainless steel for a durable outer finish, the fully sealed components offer water tight protection for the insulation within. With innovative decorative options, the ability to specify a colour for your system and with a host of technical advancements such as their Twist-Lock system, the Professional XQ™ range provides an attractive, versatile and reliable solution for your flue system. Furthermore, the Professional XQ™ range carries a 10 year conditional warranty offering complete peace of mind. For further information, please speak to your retailer or visit www.stovax.com/chimneysystems.



Balanced Flue Systems

Yeoman's sister company, Gazco, have specifically developed a range of flue system components to complement your balanced flue Yeoman gas stove. Crafted from 304 grade stainless steel and aluminium with some items additionally offered in anthracite paint finish. Designed with ease of installation and flexibility in mind, these flue systems simply push together without the requirement for locking bands or screws. Both the inner and outer pipes are secured with easy fit, self locking, high temperature silicone seals. For further information, please speak to your retailer or visit www.gazco.com.

Technical Information

Product Improvement, Safety Information and Guarantee

Yeoman pursue a policy of constant product improvement. Products supplied may therefore differ in specification from those illustrated or described in this brochure, and you should always check the final specification with your Yeoman retailer. Your Yeoman retailer will provide you with a Five Year Warranty for your new stove castings and a Two Year Warranty on steel parts and gas & electric 'engines' used in stoves and fires. The continuation of the warranty is dependant on your appliance being serviced by an appropriately qualified person 12 months after installation and annually thereafter. Please note, these warranties exclude certain consumable and naturally wearing parts such as grates, baffles, firebricks and glass. The use of petrocake in a Yeoman Stove will invalidate its guarantee. Full details are on our website at www.yeoman-stoves.co.uk.

Please note that all parts of these stoves and fires, particularly the glass panel in the door, become extremely hot during operation and can result in serious injury and burns if touched. It is therefore recommended that a fireguard complying with BS 8423:2002 is used in the presence of young children, the elderly or infirm.

Balanced Flue Gas Stove System

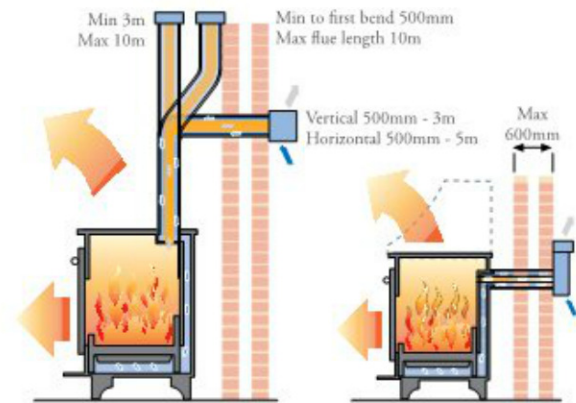
The Yeoman Balanced Flue system means having no chimney is not a problem if you opt for either an Exmoor, Exe, Devon, Dartmoor, Dartmouth Inset or CL gas stove, as it draws combustion air from outside through its concentric pipe system. A full range of optional flue components is available to suit the configurations shown below.

Please note that these are diagrammatic representations only and vary according to model. Full installation information can be downloaded from www.yeoman-stoves.co.uk.

Installing Your Yeoman Stove

A HETAS, GasSafe Register or Bord Gais approved installer should undertake a site survey prior to purchase and must install your Yeoman Stove for you. Your Yeoman retailer will be able to offer advice on this. You may also view or download complete installation instructions at our website – www.yeoman-stoves.co.uk.

The following diagrams cover some of the basic requirements. All fires and stoves consume air as they burn. To comply with Building Regulations (Document J), therefore, if you are purchasing a stove with a maximum heat output in excess of 5.0kW, you will need to install a fixed air vent to ensure adequate ventilation. Outputs below this will not normally require a vent.



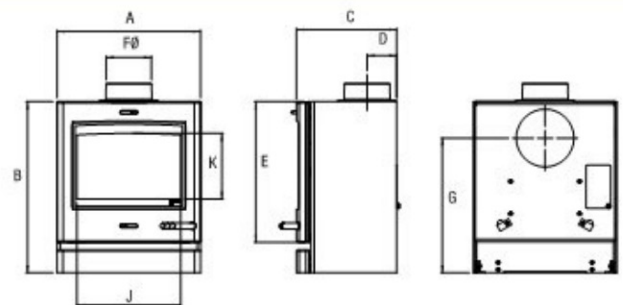
CL WOOD & MULTI-FUEL STOVES

CL3, CL5 AND CL8 - Woodburning & Multi-fuel stoves

| | |
|----------|-----------------|
| YM-CL3MF | CL3, Multi-fuel |
| YM-CL5W | CL5, Wood |
| YM-CL5MF | CL5, Multi-fuel |
| YM-CL8W | CL8, Wood |
| YM-CL8MF | CL8, Multi-fuel |

Options

| | |
|----------------|---------------------------------------|
| YM-CL3CT | Cast iron top for CL3, top flue exit |
| YM-CL3CTR | Cast iron top for CL3, rear flue exit |
| YM-CL5CT | Cast iron top for CL5, top flue exit |
| YM-CL5CTR | Cast iron top for CL5, rear flue exit |
| YM-CL8CT | Cast iron top for CL8, top flue exit |
| YM-CL8CTR | Cast iron top for CL8, rear flue exit |
| YM-CL3SCKIT | Smoke Control Kit for CL3 Multi-fuel |
| YM-CL5SCKIT | Smoke Control Kit for CL5 Woodburning |
| YM-CL5MF SCKIT | Smoke Control Kit for CL5 Multi-fuel |



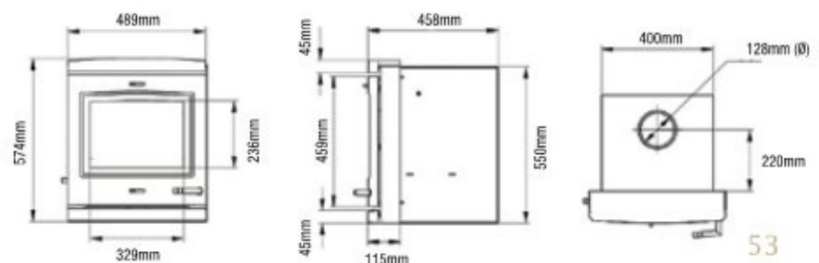
| | A | B | C | D | E | F | G | J | K | Weight |
|------|-----|-----|-----|-----|-----|-----|-----|-----|-----|--------|
| CL 3 | 360 | 510 | 306 | 93 | 416 | 128 | 400 | 240 | 195 | 76kg |
| CL 5 | 435 | 518 | 303 | 90 | 424 | 128 | 408 | 315 | 199 | 120kg |
| CL 8 | 563 | 572 | 363 | 105 | 478 | 153 | 449 | 441 | 225 | 140kg |

CL7 INSET - Multi-fuel fire

YM-CL7NMF CL7 Inset, Multi-fuel

Option
YM-CL7SCKIT Smoke Control Kit for CL7 Inset Multi-fuel

Approx. Weight: 125Kg



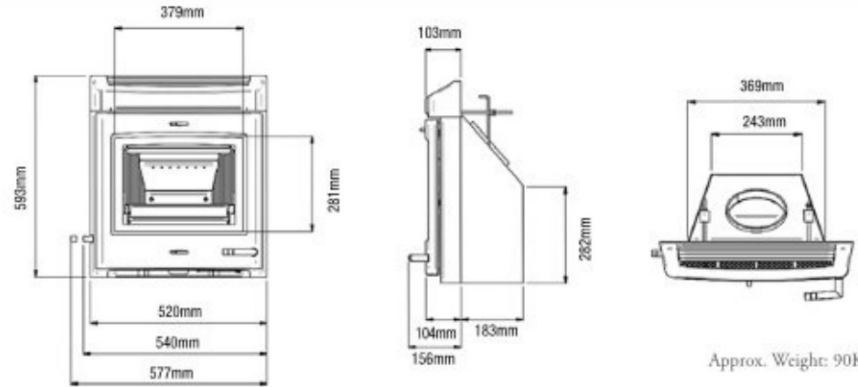
All above dimensions provide in millimeters.

Technical Information

CL WOOD & MULTI-FUEL STOVES (CONTINUED)

CL MILNER INSET - Multi-fuel fire

| | |
|-------------|--|
| YM-CLMB | CL Milner, Multi-fuel |
| Option | |
| YM-CL7SCKIT | Smoke Control Kit for CL Milner Multi-fuel |

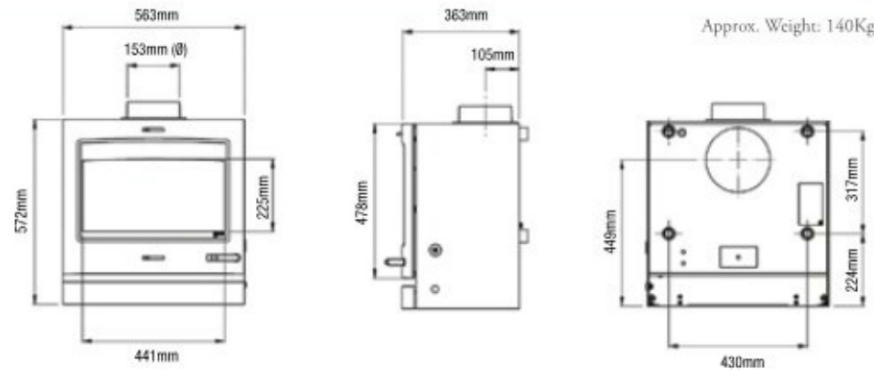


Approx. Weight: 90Kg

HIGH OUTPUT BOILER STOVES

CL8HB - High output boiler stove

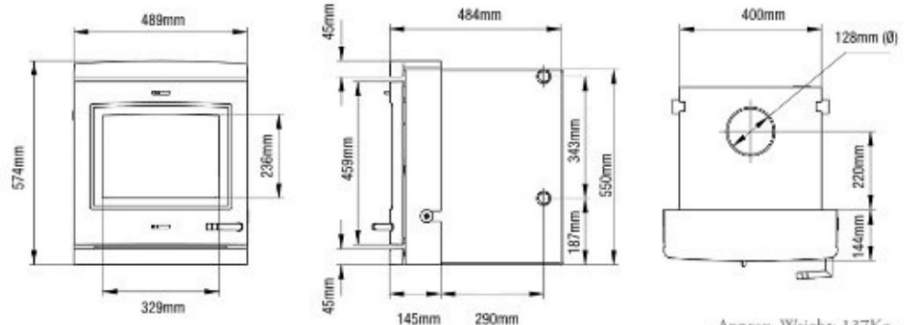
| | |
|-----------|---|
| Stoves | |
| YM-CL8HB | CL8HB Multi-fuel, Flat top, Single door |
| Options | |
| STATST | Thermostat - CL8HB |
| 7113WT | Woodburning Tray - CL8HB |
| YM-CL8CT | Decorative cast top plate - CL8HB top flue |
| YM-CL8CTR | Decorative cast top plate - CL8HB rear flue |



Approx. Weight: 140Kg

CL7NHB- High output inset boiler fire

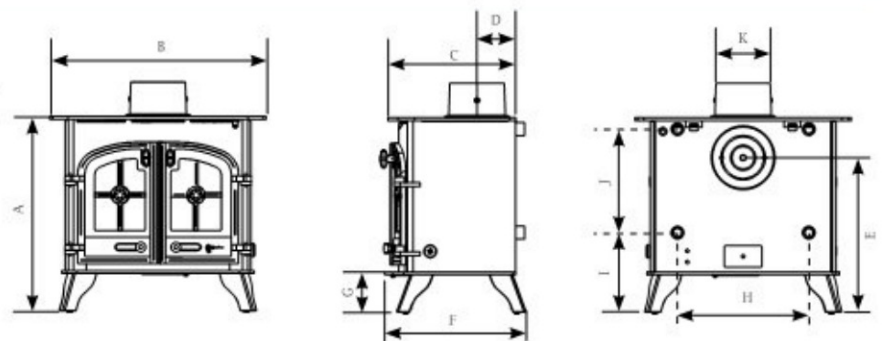
| | |
|-----------|---|
| Stoves | |
| YM-CL7NHB | CL7NHB Inset, Multi-fuel, Flat top, Single door |
| Options | |
| STATIN | Thermostat - CL7NHB Inset |
| 7125WT | Woodburning Tray - CL7NHB Inset |



Approx. Weight: 137Kg

DEVON 50HB, COUNTY 60HB & COUNTY 80HB - High output boiler stoves

| | |
|------------|--|
| Stoves | |
| YM-W9202HB | Devon 50HB, Multi-fuel, Flat top, Double door |
| YM-W9302HB | County 60HB, Multi-fuel, Flat top, Double door |
| YM-W9902HB | County 80HB, Multi-fuel, Flat top, Double door |
| Options | |
| STATST | Thermostat - suits Devon & County |
| YM-A50BWT | Woodburning tray - 50HB |
| YM-A60BWT | Woodburning tray - 60HB |
| YM-A80BWT | Woodburning Tray - 80HB |
| YM-A9904 | Brass handle for double door, left |
| YM-A9905 | Brass handle for double door, right |
| YM-A9901 | Butterfly spindle (flue damper) |
| YMA9902 | Spark Guard |
| BL/BR/GR | Coloured paint supplement, add BL (Metallic Blue)* BR (Metallic Brown) or GR (Metallic Green) suffix to stove code |



| | A | B | C | D | E | F | G | H | I | J | K (Ø) | Weight |
|-------------|-----|-----|-----|-----|-----|-----|-----|-----|-----|-----|-------|--------|
| Devon 50HB | 590 | 659 | 389 | 118 | 469 | 430 | 120 | 400 | 241 | 315 | 153 | 135kg |
| County 60HB | 632 | 772 | 446 | 125 | 507 | 508 | 126 | 530 | 246 | 343 | 153 | 172kg |
| County 80HB | 691 | 857 | 508 | 125 | 566 | 572 | 138 | 608 | 258 | 397 | 153 | 235kg |

Technical Information

DOUBLE-SIDED STOVES

EXE - Double-Sided, double depth - Solid Fuel

| | |
|--------------|---|
| YM-W9121FL | Woodburning, flat top, single door |
| YM-W9122FL | Woodburning, flat top, double doors |
| Options | |
| YM-A9140DDCE | Multi-fuel kit, static |
| YM-A9900 | Plain spinners (single door only) |
| YM-A9903 | Brass handle for single door |
| YM-A9904 | Brass handle for double door, left |
| YM-A9905 | Brass handle for double door, right |
| YM-A9902 | Spark guard (double door only) |
| YM-A9901 | Butterfly spindle (flue damper) |
| 4227 | Ash Caddy |
| BL/BR/GR | Coloured paint supplement, add BL (Metallic Blue), BR (Metallic Brown) or GR (Metallic Green) suffix to stove code |

DEVON - Double-Sided, single depth - Solid Fuel

| | |
|--------------|---|
| YM-W9211FL | Woodburning, flat top, single door |
| YM-W9212FL | Woodburning, flat top, double doors |
| YM-W9211LC | Woodburning, low canopy, single door |
| YM-W9212LC | Woodburning, low canopy, double doors |
| YM-W9212HC | Woodburning, high canopy, double doors |
| Options | |
| YM-A9240SDCE | Multi-fuel kit, static |
| YM-A9900 | Plain spinners (single door only) |
| YM-A9903 | Brass handle for single door |
| YM-A9904 | Brass handle for double door, left |
| YM-A9905 | Brass handle for double door, right |
| YM-A9902 | Spark guard (double door only) |
| YM-A9901 | Butterfly spindle (flue damper) |
| 4227 | Ash Caddy |
| BL/BR/GR | Coloured paint supplement, add BL (Metallic Blue), BR (Metallic Brown) or GR (Metallic Green) suffix to stove code |

COUNTY - Double-sided, single depth - Solid Fuel

| | |
|--------------|---|
| YM-W9312FL | Woodburning, flat top, double doors |
| YM-W9312LC | Woodburning, low canopy, double doors |
| YM-W9312HC | Woodburning, high canopy, double doors |
| Options | |
| YM-A9340SDCE | Multi-fuel kit, static |
| YM-A9900 | Plain spinners (single door only) |
| YM-A9903 | Brass handle for single door |
| YM-A9904 | Brass handle for double door, left |
| YM-A9905 | Brass handle for double door, right |
| YM-A9901 | Butterfly spindle (flue damper) |
| BL/BR/GR | Coloured paint supplement, add BL (Metallic Blue), BR (Metallic Brown) or GR (Metallic Green) suffix to stove code |

DEVON - Double-Sided, single depth, conventional flue - Gas - Manual or remote control

| | |
|--------------|---|
| YM-G9211LGHC | Natural gas, high canopy, logs, single door |
| YM-G9212LGHC | Natural gas, high canopy, logs, double doors |
| YM-P9211LGHC | LPG, high canopy, logs, single door |
| YM-P9212LGHC | LPG, high canopy, logs, double doors |
| Options | |
| YM-A9904 | Brass handle (each) |
| YM-A8455 | Standard remote control |
| YM-A8456 | Programmable remote control |
| BL/BR/GR | Coloured paint supplement, add BL (Metallic Blue), BR (Metallic Brown) or GR (Metallic Green) suffix to stove code |

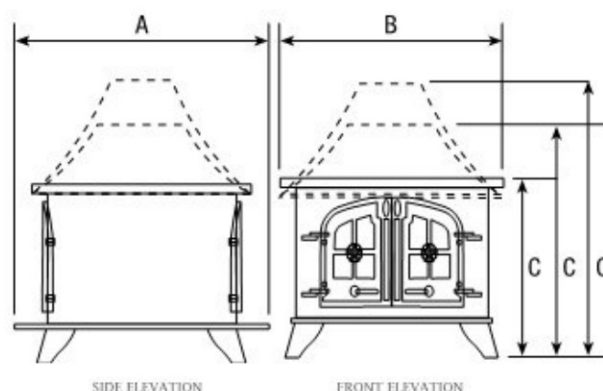
DEVON - Double-Sided, double depth - Solid Fuel

| | |
|--------------|---|
| YM-W9221FL | Woodburning, flat top, single door |
| YM-W9222FL | Woodburning, flat top, double doors |
| YM-W9221LC | Woodburning, low canopy, single door |
| YM-W9222LC | Woodburning, low canopy, double doors |
| YM-W9222HC | Woodburning, high canopy, double doors |
| Options | |
| YM-A9240DDCE | Multi-fuel kit, static |
| YM-A9900 | Plain spinners (single door only) |
| YM-A9903 | Brass handle for single door |
| YM-A9904 | Brass handle for double door, left |
| YM-A9905 | Brass handle for double door, right |
| YM-A9902 | Spark guard (double door only) |
| YM-A9901 | Butterfly spindle (flue damper) |
| BL/BR/GR | Coloured paint supplement, add BL (Metallic Blue), BR (Metallic Brown) or GR (Metallic Green) suffix to stove code |

COUNTY - Double-Sided, double depth - Solid Fuel

| | |
|------------|---|
| YM-W9322FL | Woodburning, flat top, double doors |
| YM-W9322LC | Woodburning, low canopy, double doors |
| YM-W9322HC | Woodburning, high canopy, double doors |
| Options | |
| YM-A9900 | Plain spinners (single door only) |
| YM-A9903 | Brass handle for single door |
| YM-A9904 | Brass handle for double door, left |
| YM-A9905 | Brass handle for double door, right |
| YM-A9901 | Butterfly spindle (flue damper) |
| BL/BR/GR | Coloured paint supplement, add BL (Metallic Blue), BR (Metallic Brown) or GR (Metallic Green) suffix to stove code |

| | Depth | Doors | A | B | C |
|--------------|--------|--------|-----|-----|-----|
| Exe FT | Double | 1 or 2 | 580 | 620 | 517 |
| Devon FT | Single | 1 or 2 | 462 | 615 | 563 |
| Devon LC | Single | 1 or 2 | 462 | 599 | 733 |
| Devon HC | Single | 2 | 462 | 603 | 888 |
| Devon FT | Double | 1 or 2 | 655 | 641 | 563 |
| Devon LC | Double | 1 or 2 | 655 | 633 | 731 |
| Devon HC | Double | 2 | 655 | 628 | 888 |
| County FT | Single | 2 | 587 | 738 | 597 |
| County LC | Single | 2 | 587 | 768 | 820 |
| County HC | Single | 2 | 587 | 768 | 935 |
| County FT | Double | 2 | 875 | 796 | 597 |
| County LC | Double | 2 | 875 | 768 | 820 |
| County HC | Double | 2 | 875 | 768 | 935 |
| Devon Gas HC | Single | 1 or 2 | 462 | 607 | 882 |

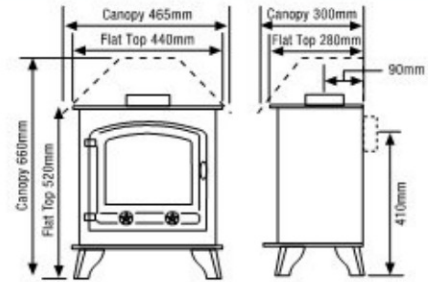


Technical Information

TRADITIONAL WOODBURNING AND MULTI-FUEL STOVES

EXMOOR

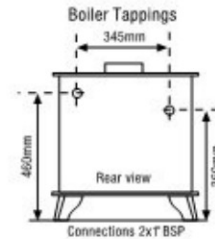
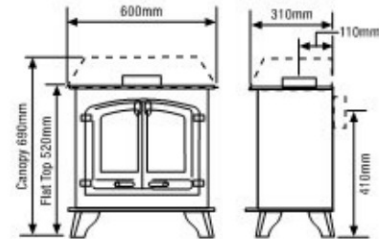
| | |
|--------------|---|
| YM-W9001FL | Woodburning, flat top, single door |
| YM-W9001LC | Woodburning, low canopy, single door |
| YM-W9001ERFL | Multi-fuel, flat top, single door |
| YM-W9001ERLC | Multi-fuel, low canopy, single door |
| Options | |
| YM-A9040CE | Multi-fuel kit, external riddling |
| YM-A9900 | Plain spinners |
| YM-A9903 | Brass handle |
| 4227 | Ash Caddy |
| BL/BR/GR | Coloured paint supplement, add BL (Metallic Blue), BR (Metallic Brown) or GR (Metallic Green) suffix to stove code |



Approx. Weight: 64 - 68Kg

EXE

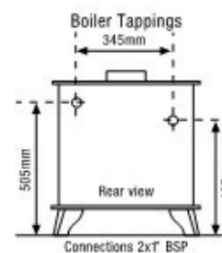
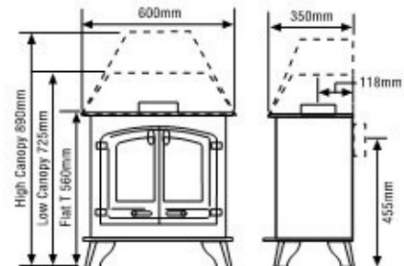
| | |
|--------------|---|
| YM-W9101FL | Woodburning, flat top, single door |
| YM-W9102FL | Woodburning, flat top, double doors |
| YM-W9101LC | Woodburning, low canopy, single door |
| YM-W9102LC | Woodburning, low canopy, double doors |
| YM-W9101ERFL | Multi-fuel, flat top, single door |
| YM-W9102ERFL | Multi-fuel, flat top, double doors |
| YM-W9101ERLC | Multi-fuel, low canopy, single door |
| YM-W9102ERLC | Multi-fuel, low canopy, double doors |
| Options | |
| YM-A9140CE | Multi-fuel kit, external riddling |
| YM-A9900 | Plain spinners (single door only) |
| YM-A9903 | Brass handle for single door |
| YM-A9904 | Brass handle for double door, left |
| YM-A9905 | Brass handle for double door, right |
| YM-A9130 | Boiler, stainless steel- 2.5kW (8500 BTU) |
| YM-A9902 | Spark guard (double door only) |
| YM-A9901 | Butterfly spindle (flue damper) |
| 4227 | Ash Caddy |
| BL/BR/GR | Coloured paint supplement, add BL (Metallic Blue), BR (Metallic Brown) or GR (Metallic Green) suffix to stove code |



Approx. Weight: 94 - 100Kg

DEVON

| | |
|--------------|---|
| YM-W9201FL | Woodburning, flat top, single door |
| YM-W9202FL | Woodburning, flat top, double doors |
| YM-W9201LC | Woodburning, low canopy, single door |
| YM-W9202LC | Woodburning, low canopy, double doors |
| YM-W9201HC | Woodburning, high canopy, single door |
| YM-W9202HC | Woodburning, high canopy, double doors |
| YM-W9201ERFL | Multi-fuel, flat top, single door |
| YM-W9202ERFL | Multi-fuel, flat top, double doors |
| YM-W9201ERLC | Multi-fuel, low canopy, single door |
| YM-W9202ERLC | Multi-fuel, low canopy, double doors |
| YM-W9201ERHC | Multi-fuel, high canopy, single door |
| YM-W9202ERHC | Multi-fuel, high canopy, double doors |
| Options | |
| YM-A9240CE | Multi-fuel kit, external riddling |
| YM-A9900 | Plain spinners (single door only) |
| YM-A9903 | Brass handle for single door |
| YM-A9904 | Brass handle for double door, left |
| YM-A9905 | Brass handle for double door, right |
| YM-A9230 | Boiler-3.5kW (12,000 BTU) |
| YM-A9902 | Spark guard (double door only) |
| YM-A9901 | Butterfly spindle (flue damper) |
| 4227 | Ash Caddy |
| BL/BR/GR | Coloured paint supplement, add BL (Metallic Blue), BR (Metallic Brown) or GR (Metallic Green) suffix to stove code |



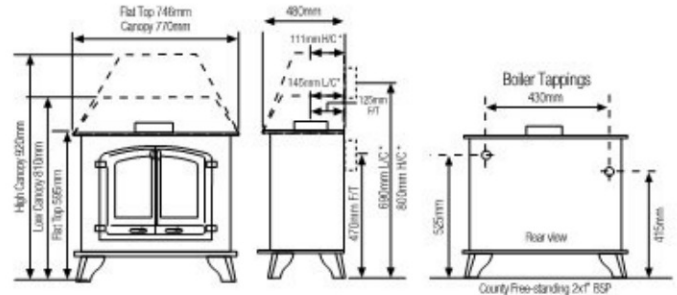
Approx. Weight: 102 - 118Kg

Technical Information

TRADITIONAL WOODBURNING & MULTI-FUEL STOVES (CONTINUED)

COUNTY

| | |
|------------|---|
| YM-W9301FL | Woodburning, flat top, single door |
| YM-W9302FL | Woodburning, flat top, double doors |
| YM-W9301LC | Woodburning, low canopy, single door |
| YM-W9302LC | Woodburning, low canopy, double doors |
| YM-W9301HC | Woodburning, high canopy, single door |
| YM-W9302HC | Woodburning, high canopy, double doors |
| Options | |
| YM-A9340CE | Multi-fuel kit, static |
| YM-A9900 | Plain spinners (single door only) |
| YM-A9904 | Brass handle (single door only) |
| YM-A9330 | Boiler-7kW (24,000 BTU) |
| YM-A9901 | Butterfly spindle (flue damper) |
| 4229 | Ash Caddy |
| BL/BR/GR | Coloured paint supplement, add BL (Metallic Blue), BR (Metallic Brown) or GR (Metallic Green) suffix to stove code |



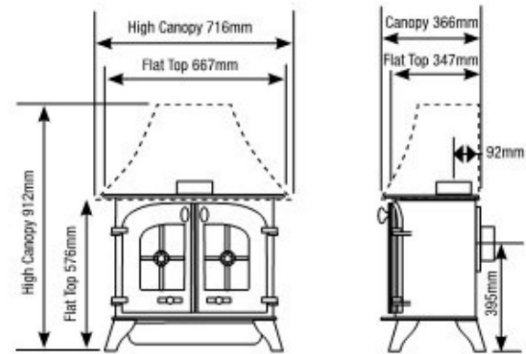
Approx. Weight: 124Kg

*The County has rear outlets in the stove and low/high canopies.

TRADITIONAL GAS STOVES

DARTMOOR - Conventional flue gas, manual or remote control

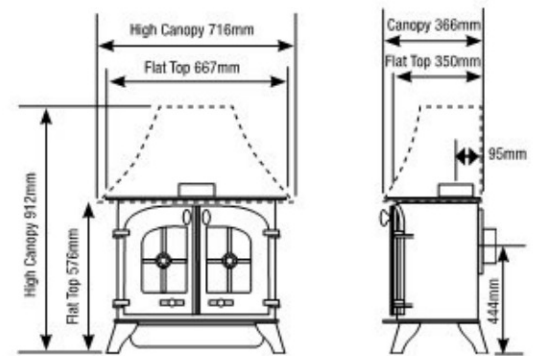
| | |
|-----------------|---|
| YM-N5101CFLUC | Natural gas, flat top, logs, single door |
| YM-N5102CFLUC | Natural gas, flat top, logs, double doors |
| YM-P5101CFLUC | LPG, flat top, logs, single door |
| YM-P5102CFLUC | LPG, flat top, logs, double doors |
| YM-N5101CFLUCHC | Natural gas, high canopy, logs, single door |
| YM-N5102CFLUCHC | Natural gas, high canopy, logs, double doors |
| YM-P5101CFLUCHC | LPG, high canopy, logs, single door |
| YM-P5102CFLUCHC | LPG, high canopy, logs, double doors |
| Options | |
| 8549 | Decorative flue collar for top exit (must be purchased for top flue) |
| YM-A9904 | Brass handle (single door only) |
| 8455 | Standard remote control |
| 8456 | Programmable remote control |
| BL/BR/GR | Coloured paint supplement, add BL (Metallic Blue), BR (Metallic Brown) or GR (Metallic Green) suffix to stove code |



Approx. Weight: 71 - 81Kg

DARTMOOR - Balanced flue gas, manual or remote control

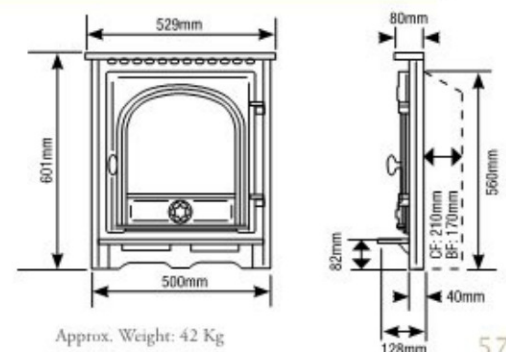
| | |
|-----------------|---|
| YM-N5201BFLUC | Natural gas, flat top, logs, single door |
| YM-P5201BFLUC | LPG, flat top, logs, single door |
| YM-N5201BFLUCHC | Natural gas, high canopy, logs, single door |
| YM-P5201BFLUCHC | LPG, high canopy, logs, single door |
| YM-N5202BFLUC | Natural gas, flat top, logs, double doors |
| YM-P5202BFLUC | LPG, flat top, logs, double doors |
| YM-N5202BFLUCHC | Natural gas, high canopy, logs, double doors |
| YM-P5202BFLUCHC | LPG, high canopy, logs, double doors |
| Options | |
| 8548 | Decorative flue collar for top exit (must be purchased for top flue) |
| YM-A9904 | Brass handle (single door only) |
| 8455 | Standard remote control |
| 8456 | Programmable remote control |
| BL/BR/GR | Coloured paint supplement, add BL (Metallic Blue), BR (Metallic Brown) or GR (Metallic Green) suffix to stove code |



Approx. Weight: 71 - 81Kg

DARTMOUTH - Inset, conventional and balanced flue - Gas - Manual control

| | |
|----------|---|
| YM-N9875 | Conventional Flue. Natural gas, flat top, coals. Manual control |
| YM-P9875 | Conventional Flue. LPG, flat top, coals. Manual control |
| YM-N9885 | Balanced Flue. Natural gas, flat top, coals. Manual control |
| YM-P9885 | Balanced Flue. LPG, flat top, coals. Manual control |



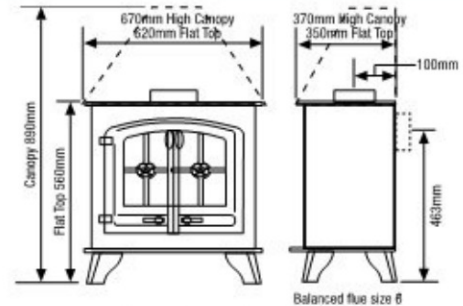
Approx. Weight: 42 Kg

Technical Information

TRADITIONAL GAS STOVES (CONTINUED)

DEVON - Balanced flue, manual or remote control

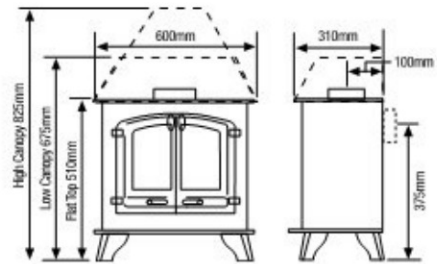
| | |
|------------|--|
| YM-G9202 | Natural gas, flat top, coals, double doors* |
| YM-G9202HC | Natural gas, high canopy, coals, double doors* |
| YM-P9202 | LPG, flat top, coals, double doors* |
| YM-P9202HC | LPG, high canopy, coals, double doors* |
| Options | |
| YM-A9904 | Brass handle |
| 8455 | Standard remote control |
| 8456 | Programmable remote control |
| BL/BR/GR | Coloured paint supplement, add BL (Metallic Blue), BR (Metallic Brown) or GR (Metallic Green) suffix to stove code *Please specify top or rear flue exit |



Approx. Weight: 62 - 82Kg

EXMINSTER - Conventional flue, manual or remote control

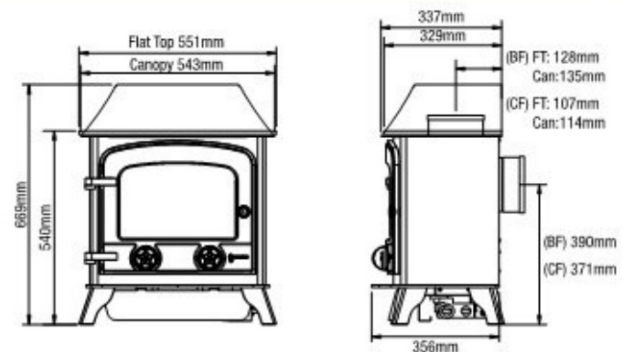
| | | | |
|--------------|---|--------------|---|
| YM-G9701FL | Natural gas, flat top, coals, single door | YM-P9701LGLC | LPG, low canopy, logs, single door |
| YM-G9702FL | Natural gas, flat top, coals, double doors | YM-P9702LGLC | LPG, low canopy, logs, double doors |
| YM-G9701LC | Natural gas, low canopy, coals, single door | YM-P9701LGHC | LPG, high canopy, logs, single door |
| YM-G9702LC | Natural gas, low canopy, coals, double doors | YM-P9702LGHC | LPG, high canopy, logs, double doors |
| YM-G9701HC | Natural gas, high canopy, coals, single door | Options | |
| YM-G9702HC | Natural gas, high canopy, coals, double doors | YM-A9904 | Brass handle |
| YM-P9701FL | LPG, flat top, coals, single door | YM-A8455 | Standard remote control |
| YM-P9702FL | LPG, flat top, coals, double doors | YM-A8456 | Programmable remote control |
| YM-P9701LC | LPG, low canopy, coals, single door | BL/BR/GR | Coloured paint supplement, add BL (Metallic Blue), BR (Metallic Brown) or GR (Metallic Green) suffix to stove code |
| YM-P9702LC | LPG, low canopy, coals, double doors | | |
| YM-P9701HC | LPG, high canopy, coals, single door | | |
| YM-P9702HC | LPG, high canopy, coals, double doors | | |
| YM-G9701LGF | Natural gas, flat top, logs, single door | | |
| YM-G9702LGF | Natural gas, flat top, logs, double doors | | |
| YM-G9701LGLC | Natural gas, low canopy, logs, single door | | |
| YM-G9702LGLC | Natural gas, low canopy, logs, double doors | | |
| YM-G9701LGHC | Natural gas, high canopy, logs, single door | | |
| YM-G9702LGHC | Natural gas, high canopy, logs, double doors | | |
| YM-P9701LGF | LPG, flat top, logs, single door | | |
| YM-P9702LGF | LPG, flat top, logs, double doors | | |



Approx. Weight: 42 - 60Kg

EXE - Conventional & Balanced flue gas, manual or remote control

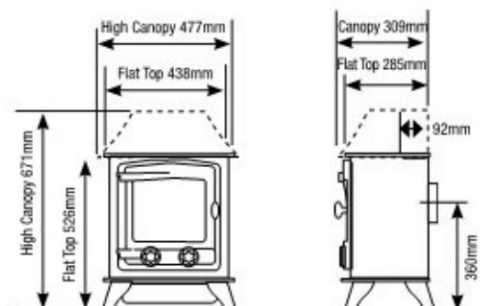
| | |
|-----------|--|
| YM581-363 | CF, Natural gas, flat top, logs, single door |
| YM581-282 | CF, Natural gas, low canopy, logs, single door |
| YM581-581 | CF, LPG, flat top, logs, single door |
| YM581-677 | CF, LPG, low canopy, logs, single door |
| YM581-390 | BF, Natural gas, flat top, logs, single door |
| YM581-191 | BF, Natural gas, low canopy, logs, single door |
| YM581-637 | BF, LPG, flat top, logs, single door |
| YM581-729 | BF, LPG, low canopy, logs, single door |
| Options | |
| YM-A9904 | Brass handle |
| 8455 | Standard remote control |
| 8456 | Programmable remote control |
| BL/BR/GR | Coloured paint supplement, ad BL (Metallic Blue), BR (Metallic Brown) or GR (Metallic Green) suffix to stove code |



Balanced flue: rear exit only
Approx. Weight: 61Kg

EXMOOR - Conventional flue gas, manual or remote control

| | |
|-----------|--|
| YM581-239 | Natural gas, flat top, logs, single door |
| YM581-298 | Natural gas, low canopy, logs, single door |
| YM581-402 | LPG, flat top, logs, single door |
| YM581-447 | LPG, low canopy, logs, single door |
| Options | |
| 8549 | Decorative flue collar for top exit |
| YM-A9904 | Brass handle |
| 8455 | Standard remote control |
| 8456 | Programmable remote control |
| BL/BR/GR | Coloured paint supplement, ad BL (Metallic Blue), BR (Metallic Brown) or GR (Metallic Green) suffix to stove code |



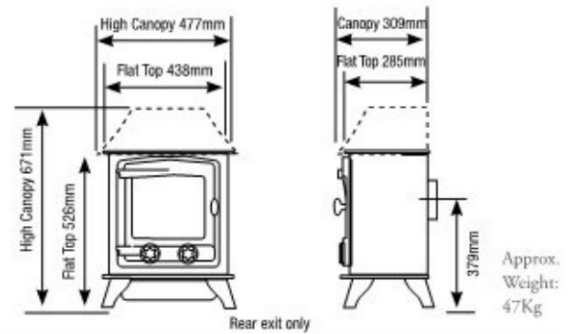
Approx. Weight: 47Kg

Technical Information

TRADITIONAL GAS STOVES (CONTINUED)

EXMOOR - Balanced flue gas, manual or remote control

| | |
|-----------|---|
| YM581-268 | Natural gas, flat top, logs, single door |
| YM581-302 | Natural gas, low canopy, logs, single door |
| YM581-424 | LPG, flat top, logs, single door |
| YM581-550 | LPG, low canopy, logs, single door |
| Options | |
| YM-A9904 | Brass handle |
| 8455 | Standard remote control |
| 8456 | Programmable remote control |
| BL/BR/GR | Coloured paint supplement, add BL (Metallic Blue), BR (Metallic Brown) or GR (Metallic Green) suffix to stove code |



CL GAS STOVES

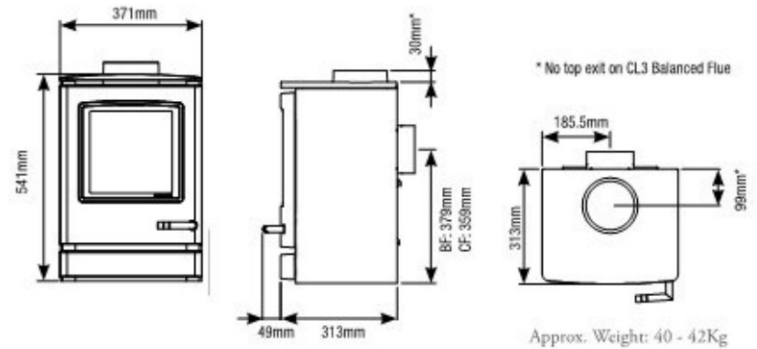
CL3 - Conventional and Balanced flue, with standard or thermostatic remote control

Standard Remote Control

| | |
|------------|----------------------------------|
| YM-581-310 | CF, Natural gas, logs, top exit |
| YM-581-182 | CF, Natural gas, logs, rear exit |
| YM-581-414 | CF, LPG, logs, top exit |
| YM-581-437 | CF, LPG, logs, rear exit |
| YM-581-374 | BE, Natural gas, logs, rear exit |
| YM-581-539 | BE, LPG, logs, rear exit |

Thermostatic Remote Control

| | |
|------------|----------------------------------|
| YM-581-272 | CF, Natural gas, logs, top exit |
| YM-581-305 | CF, Natural gas, logs, rear exit |
| YM-581-527 | CF, LPG, logs, top exit |
| YM-581-632 | CF, LPG, logs, rear exit |
| YM-581-197 | BE, Natural gas, logs, rear exit |
| YM-581-628 | BE, LPG, logs, rear exit |



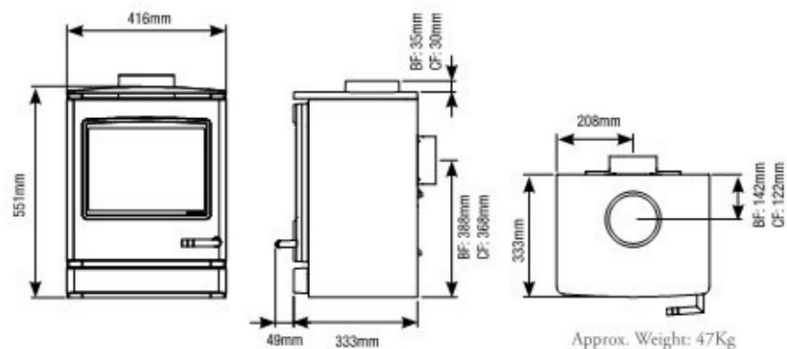
CL5 - Conventional and Balanced flue, with standard or thermostatic remote control

Standard Remote Control

| | |
|------------|----------------------------------|
| YM-581-258 | CF, Natural gas, logs, top exit |
| YM581-293 | CF, Natural gas, logs, rear exit |
| YM-581-611 | CF, LPG logs, top exit |
| YM-581-497 | CF, LPG, logs, rear exit |
| YM-581-329 | BE, Natural gas, logs, top exit |
| YM-581-354 | BE, Natural gas, logs, rear exit |
| YM-581-712 | BE, LPG, logs, top exit |
| YM-581-647 | BE, LPG, logs, rear exit |

Thermostatic Remote Control

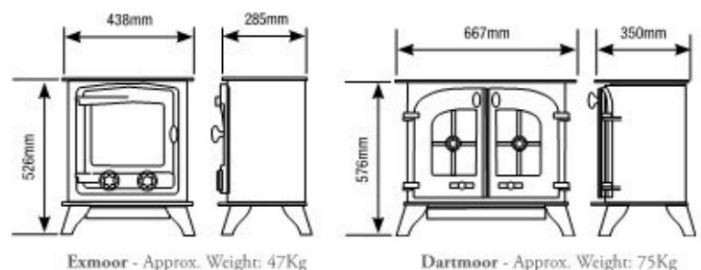
| | |
|------------|----------------------------------|
| YM-581-341 | CF, Natural gas, logs, top exit |
| YM-581-230 | CF, Natural gas, logs, rear exit |
| YM-581-740 | CF, LPG logs, top exit |
| YM-581-573 | CF, LPG, logs, rear exit |
| YM-581-396 | BE, Natural gas, logs, top exit |
| YM-581-209 | BE, Natural gas, logs, rear exit |
| YM-581-807 | BE, LPG, logs, top exit |
| YM-581-850 | BE, LPG, logs, rear exit |



TRADITIONAL ELECTRIC STOVES

ELECTRIC STOVES

| | |
|------------|---------------------------------|
| YM-E9001FL | Exmoor 1 Door - flat top |
| YM-E5201FL | Dartmoor 1 Door - flat top |
| YM-E5202FL | Dartmoor 2 Door - flat top |
| Options | |
| YM-A9904 | Brass handle (single door only) |





CL5 Stove



Falcon Road, Sowton Industrial Estate, Exeter, Devon EX2 7LF

Solid Fuel Trade Sales

Tel: 01392 474500

Fax: 01392 219932

Other Depts Tel: 01392 474011

e-mail: yeoman@stovax.com

www.yeoman-stoves.co.uk

Gas and Electric Trade Sales

Tel: 01392 261900

Fax: 01392 444148

To visit the Yeoman website
please scan this code with
your mobile device.



Your local Yeoman retailer

£2.00



All fire & flame photography has been taken from genuine products; however, the exact appearance of the flame picture for any appliance will vary depending on the nature of the flue type, installation surroundings, local geographical features & the way in which the appliance is operated. Please note: The operation & appearance of gas appliances depends on variable factors such as the gas pressure supplied.

Yeoman Stoves gratefully acknowledge the assistance of the following companies with photographic settings:

Furnishings and Ornaments: - **Eclectique** - www.eclectique.co.uk; **Furniture Village** - www.furniturevillage.co.uk; **Fagins Antiques** - www.faginsantiques.com;
Laura Ashley - www.lauraashley.com; **Orange Tree** - www.theorangetree.co.uk; **Debenhams** - www.debenhams.co.uk; **House Of Fraser** - www.houseoffraser.co.uk;
The Cook Shop - www.justaddfood.co.uk; Wood Flooring: - **Beach Bros Ltd** - www.beachbros.co.uk; Stone Flooring and Wall Tiles: - **Original Style** - www.originalstyle.com;
Stone Mantels: - **Farmington** - www.farmington.co.uk; Conservatories: - **Apple Conservatories** - www.appleconservatories.com

Paper sourced from sustainable forests and printed using vegetable based inks