



**STOVAX**  
*Fire Your Imagination*

## RIVA STOVES

The ultimate stove technology to  
sustain our traditional environment

## INTRODUCTION

Stovax's dedication to the development of premium quality, woodburning and multi-fuel stoves over the past 31 years has helped to make it one of Europe's leading specialist manufacturers. Now the company's expertise has brought stove technology to the very pinnacle of performance and design with the introduction of the ground-breaking high efficiency Riva stoves.

Expertly crafted to incorporate both traditional and contemporary designs, the external looks of the Riva range complement their ease of operation (a single lever controls all the air flows), their technically advanced cleanburn combustion systems (which provide outstanding flame pictures) and their superior heating efficiencies. Just as important, when burning logs these stoves use an energy source that is carbon neutral, renewable and infinitely better for our environment. You can even burn logs if you live in a Smoke Control Zone area - simply chose a DEFRA approved multi-fuel version along with its smoke control kit.

In addition, there are options and features such as an enhanced multi-fuel grate design, fan-assisted circulation systems for Riva Plus and external air facilities on all models which can increase efficiencies still further. The diagrams on page 4 highlight the full characteristics for each of the stoves in this incomparable range.

**STOVAX**  
Fire Your Imagination

RENEWABLE RESOURCE FROM CULTIVATED WOODLAND

WOODBURNING AND MULTI-FUEL VERSIONS

STATE-OF-THE-ART CLEANBURN TECHNOLOGY



# CONTENTS

KEY DESIGN FEATURES ..... 04

## RIVA PLUS STOVES

Beautifully crafted stoves designed to add charm and authenticity to more traditional homes.

RIVA PLUS SMALL ..... 06  
RIVA PLUS MIDI ..... 08  
RIVA PLUS MEDIUM ..... 10  
RIVA PLUS LARGE ..... 12

## RIVA VISION STOVES

This range combines the sleek contemporary aesthetics of a full glass door with the time-honoured ambience of a real fire.

RIVA VISION SMALL ..... 14  
RIVA VISION MIDI ..... 16  
RIVA VISION MEDIUM ..... 18

RIVA BENCHES & PLINTHS ..... 20

TECHNICAL INFORMATION ..... 21

OUTSTANDING EFFICIENCY & PERFORMANCE

STUNNING FLAMES CREATE A SUPERB FOCAL POINT

EASY-TO-USE, SINGLE LEVER CONTROL



STOVAX



# KEY DESIGN FEATURES

Stovax Riva stoves all feature the latest cleanburn combustion systems, allowing them to burn logs or solid fuels with outstanding efficiency, resulting in more heat delivery into the room and less going up the chimney. This technological advancement is achieved by introducing pre-heated, secondary air into the firebox to burn the excess hydrocarbons in the smoke. Airwash air flow also helps keep the window clean, allowing you to enjoy the flames to the full.

As shown below, Riva Plus and Riva Vision both have slightly different design features to suit their construction characteristics:

## RIVA | PLUS

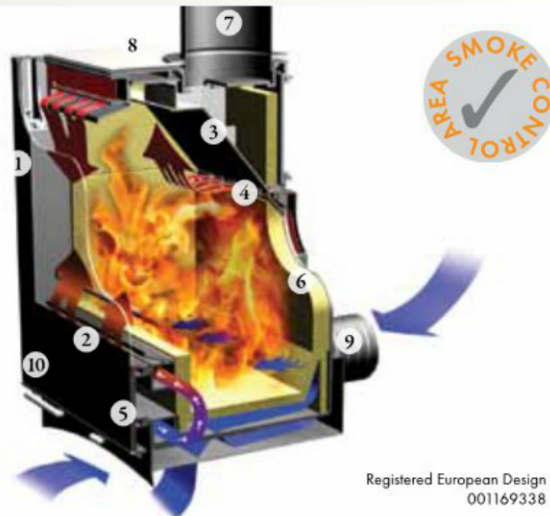


\* Excluding Riva Plus Large

- 1 Heavy duty steel body
- 2 Airtight cast iron door
- 3 Stainless steel baffle
- 4 Heated air jets from cleanburn ports burn hydrocarbons in smoke
- 5 Single lever for state-of-the-art control of cleanburn combustion and airwash system
- 6 Firebrick lining
- 7 Top or rear flue exit connecting stove to flue pipe
- 8 Removable tool to operate door handle
- 9 Removable 'window crosses' for clear window
- 10 Optional fan-assisted convection circulation system
- 11 Optional external air facility for draught reduction
- 12 Optional Smoke Control Kit (not illustrated)
- 13 Low and high canopy options (not illustrated)

## RIVA | VISION

- 1 Heavy duty steel body
- 2 Airtight contemporary glass door
- 3 Stainless steel baffle
- 4 Heated air jets from cleanburn ports burn hydrocarbons in smoke
- 5 Single lever for state-of-the-art control of cleanburn combustion and airwash system
- 6 Firebrick lining
- 7 Top or rear flue exit connecting stove to flue pipe
- 8 Optional ceramic glass top plate
- 9 Optional external air facility for draught reduction
- 10 Stainless steel controls and log guard
- 11 Optional Smoke Control Kit (not illustrated)



Registered European Design  
001169338





## WOODBURNING AND SOLID FUEL OPTIONS

All Riva Plus and Riva Vision models are available as woodburners only or, with the addition of our specially designed riddling grate, as multi-fuel versions which can also burn smokeless fuels or peat/turf briquettes.

Wood is better in environmental terms as, when burnt, the amount of carbon dioxide released into the atmosphere is approximately the same as that absorbed by the tree during growth. It is also a renewable resource, particularly when derived from plantations and cultivated woodland. For optimum results, we recommend logs should be seasoned for 2 years or more to achieve a moisture content below 20%. This will not only give twice the output of freshly felled timber but help avoid a build-up of tar in your



flue. Furthermore, if you can obtain hardwood logs this is better still, as they will have a greatly increased calorific value of softwoods.

## EXPERT RETAILER NETWORK

We take great care to ensure that our stoves are designed, tested and manufactured to the highest possible quality and safety standards. We are just as concerned to make certain that they are sold and installed correctly so that you enjoy years of pleasure from your purchase.

Accordingly, you will find our products are only available from experienced, independent retailers who will be happy to show you a selection of models locally in their showrooms, often fully operational; discuss your individual requirements both technical (such as sizing the heat output to your room and advising on your flue type) and design; and ensure that you select the most appropriate product for your home. These retailers will also be able to advise on or assist with the installation process as well as help provide any after-sales support and servicing your appliance may require in the future.

Whilst we encourage our retailers to promote fireplace products and their outlets via the internet, we do not believe suitable levels of customer care and satisfaction can be obtained from nationwide online sales and we would strongly recommend that you consider this when undertaking your research and making a purchasing decision. Further, please be aware that we do not offer technical support (beyond our statutory requirements) to products bought via nationwide online sales, where this support would normally be offered by one of our qualified, independent retailers.

# RIVA PLUS | SMALL



Compact yet powerful, this stove not only has the performance and fuel efficiency to heat your room or living space effectively, but also the versatility to match your decorative style.

## KEY FEATURES

- Woodburning and multi-fuel versions
- High efficiency (wood: 77%; smokeless fuel: 79%)
- Approved for Smoke Control Areas\*
- Single combustion control lever optimises air supply for fuel type
- Boost setting for lighting and re-fuelling
- Stainless steel baffle
- Radiant heat and convected heat
- Heat output 2.0 - 5.0kW
- Maximum log length: 250mm (10")
- Cast iron log tray with air feed (woodburning model)
- Innovative design with external riddling (multi-fuel model)
- Optional fan-assisted convection system
- Optional external air kit
- Top or rear flue connection: internal Ø 128mm (5")



\* When fitted with a Smoke Control Kit and used in accordance with the user instructions.



Riva Plus Small Woodburning with low canopy

PRODUCT CODES	Woodburner	Multi-fuel
Riva Plus SMALL	RVP-SMW	RVP-SMM
Options:		
External air kit	RVPO001	RVPO001
Fan-assisted convection kit	RVPO006	RVPO006
Smoke Control Kit	-	RVP-SMMSCKIT
Low Canopy	RVP-SMLC	RVP-SMLC
High Canopy	RVP-SMHC	RVP-SMHC





**Large image:**

*Riva Plus Small Woodburning*

**Small image:**

*Riva Plus Small Multi-fuel burning logs*



**Large image:**  
*Riva Plus Midi Woodburning*

**Small image:**  
*Riva Plus Midi Multi-fuel burning logs*



# RIVA PLUS | MIDI



If you have a little more space available then the Riva Plus Midi will provide you with the extra heating capacity to make slightly larger rooms cosy throughout the winter.

## KEY FEATURES

- Woodburning and multi-fuel versions
- High efficiency (wood: 71%; smokeless fuel: 72%)
- Approved for Smoke Control Areas\*
- Single combustion control lever optimises air supply for fuel type
- Boost setting for lighting and re-fuelling
- Stainless steel baffle
- Radiant heat and convected heat
- Heat output 3.0 - 6.5kW
- Maximum log length: 300mm (12")
- Cast iron log tray with air feed (woodburning model)
- Innovative design with external riddling (multi-fuel model)
- Removable window crosses for 'clear door' option
- Optional fan-assisted convection system
- Optional external air kit
- Top or rear flue connection: internal Ø 128mm (5")



\* When fitted with a Smoke Control Kit and used in accordance with the user instructions.



Riva Plus Midi Multi-fuel burning logs with high canopy

PRODUCT CODES	Woodburner	Multi-fuel
Riva Plus MIDI	RVP-MDW	RVP-MDM
Options:		
External air kit	RVP0002	RVP0002
Fan-assisted convection kit	RVP0006	RVP0006
Smoke Control Kit	-	RVP-MEMSCKIT
Low Canopy	RVP-MDLC	RVP-MDLC
High Canopy	RVP-MDHC	RVP-MDHC

# RIVA PLUS | MEDIUM



This versatile model is ideal for medium to larger sized rooms and is available in both wood and multi-fuel versions. There are also several options to suit your individual needs.

## KEY FEATURES

- Woodburning and multi-fuel versions
- High efficiency (wood: 71%; smokeless fuel: 72%)
- Approved for Smoke Control Areas\*
- Single combustion control lever optimises air supply for fuel type
- Boost setting for lighting and re-fuelling
- Stainless steel baffle
- Radiant heat and convected heat
- Heat output 5.0 - 8.0kW
- Maximum log length: 350mm (14")
- Cast iron log tray with air feed (woodburning model)
- Innovative design with external riddling (multi-fuel model)
- Removable window crosses for 'clear door' option
- Optional fan-assisted convection system
- Optional external air kit
- Top or rear flue connection: internal Ø 128mm (5")



\* When fitted with a Smoke Control Kit and used in accordance with the user instructions.



Riva Plus Medium Woodburning with low canopy

PRODUCT CODES	Woodburner	Multi-fuel
Riva Plus MEDIUM	RVP-MEW	RVP-MEM
Options:		
External air kit	RVP0003	RVP0003
Fan-assisted convection kit	RVP0009	RVP0009
Smoke Control Kit	-	RVP-MEMSCKIT
Low Canopy	RVP-MELC	RVP-MELC
High Canopy	RVP-MEHC	RVP-MEHC





**Large image:**

*Riva Plus Medium Woodburning*

**Small image:**

*Riva Plus Medium Woodburning shown with window crosses*





**Large image:**

*Riva Plus Large Multi-fuel burning logs*

**Small image:**

*Riva Plus Large Woodburning shown with window crosses*



# RIVA PLUS | LARGE



A big stove to make a big impact. Whether you are seeking significant heating potential, a magnificent focal point or have a large inglenook, this generously-proportioned stove can achieve all these aspirations.

## KEY FEATURES

- Woodburning and multi-fuel versions
- High efficiency (wood: 78%; smokeless fuel: 70%)
- Single combustion control lever optimises air supply for fuel type
- Boost setting for lighting and re-fuelling
- Stainless steel baffle
- Radiant heat and convected heat
- Heat output 6.0 - 11.0kW
- Maximum log length: 400mm (16")
- Cast iron log tray with air feed (woodburning model)
- Innovative design with external riddling (multi-fuel model)
- Removable window crosses for 'clear door' option
- Optional fan-assisted convection system
- Optional external air kit
- Top or rear flue connection: internal Ø 152mm (6")



Riva Plus Large Woodburning with high canopy

PRODUCT CODES	Woodburner	Multi-fuel
Riva Plus LARGE	RVP-LAW	RVP-LAM
Options:		
External air kit	RVPO004	RVPO004
Fan-assisted convection kit	RVPO009	RVPO009
Low Canopy	RVP-LALC	RVP-LALC
High Canopy	RVP-LAHC	RVP-LAHC

# RIVA VISION | SMALL



Featuring a stunning glass door, the contemporary design of Riva Vision gives you the best possible view of your fire. A built-in airwash system keeps the glass clean too. Our gloss black flue pipe is a striking additional option.

## KEY FEATURES

- Woodburning and multi-fuel versions
- High efficiency (wood: 74%; smokeless fuel: 76%)
- Approved for Smoke Control Areas\*
- Single combustion control lever optimises air supply for fuel type
- Boost setting for lighting and re-fuelling
- Stainless steel baffle
- Heat output 4.0 - 5.0kW
- Maximum log length: 280mm (11")
- Firebrick log tray with primary air feed (woodburning model)
- Parallel riddling bars (multi-fuel model)
- Optional ceramic glass top
- Optional decorative flue ring cover†
- Optional Riva Plinth with matching glass front
- Optional Riva Benches
- Optional external air kit
- Contemporary flue pipe options
- Top or rear flue connection: internal Ø 128mm (5")

\* When fitted with a Smoke Control Kit and used in accordance with the user instructions.

† Not compatible with the optional glass top plate

### Large image:

Riva Vision Small Multi-fuel burning logs shown with Riva Glass Plinth and Ceramic Glass Top

### Small image:

Riva Vision Small Woodburning on Riva 100 Low Bench with Modern Line Glass Black Flue Pipe



PRODUCT CODES	Woodburner	Multi-fuel
Riva Vision SMALL	RVN-SMW	RVN-SMM
Options:		
Ceramic glass top (top flue)	RVN-SMGB	RVN-SMGB
Ceramic glass top (rear flue)	RVN-SMGBR	RVN-SMGBR
Decorative flue ring cover	RVAC150B	RVAC150B
External air kit	RVN-SMAIR	RVN-SMAIR
Smoke Control Kit	-	RVN-SMMSCKIT
Riva Benches & Plinths	See page 20	See page 20
Flue pipe options	See Stovax Professional XQ brochure	









# RIVA VISION | MIDI



With extra heating capacity, cleanburn efficiency and a choice of options, such as contemporary flue pipe, matching ceramic glass top or installed with a Riva plinth or bench, the Vision Midi is the versatile choice for your home.

## KEY FEATURES

- Woodburning and multi-fuel versions
- High efficiency (wood: 73%; smokeless fuel: 76%)
- Approved for Smoke Control Areas\*
- Single combustion control lever optimises air supply for fuel type
- Boost setting for lighting and re-fuelling
- Stainless steel baffle
- Heat output 6.0 - 7.0kW
- Maximum log length: 330mm (13")
- Firebrick log tray with primary air feed (woodburning model)
- Parallel riddling bars (multi-fuel model)
- Optional ceramic glass top
- Optional decorative flue ring cover†
- Optional Riva Plinth with matching glass front
- Optional Riva Benches
- Optional external air kit
- Contemporary flue pipe options
- Top or rear flue connection: internal Ø 128mm (5")

\* When fitted with a Smoke Control Kit and used in accordance with the user instructions.

† Not compatible with the optional glass top plate

### Large image:

Riva Vision Midi Woodburning on Riva 45 Low Bench shown with Stovax Parisian White Fireplace Surround Tiles and Gloss Black Flue Pipe

### Small image:

Riva Vision Midi Woodburning and Ceramic Glass Top on Riva Glass Plinth



PRODUCT CODES	Woodburner	Multi-fuel
Riva Vision MIDI	RVN-MIDW	RVN-MIDM
Options:		
Ceramic glass top (top flue)	RVN-MIDGB	RVN-MIDGB
Ceramic glass top (rear flue)	RVN-MIDGBR	RVN-MIDGBR
Decorative flue ring cover	RVAC150B	RVAC150B
External air kit	RVN-MIDAIR	RVN-MIDAIR
Smoke Control Kit	-	RVN-MIDMSCKIT
Riva Benches & Plinths	See page 20	See page 20
Flue pipe options	See Stovax Professional XQ brochure	

# RIVA VISION | MEDIUM



The spectacle of dancing flames viewed through the all-glass door is maximised in the Vision Medium. It means you can achieve outstanding style and powerful heating potential in equal measure.

## KEY FEATURES

- Woodburning and multi-fuel versions
- High efficiency (wood: 73%; smokeless fuel: 79%)
- Approved for Smoke Control Areas\*
- Single combustion control lever optimises air supply for fuel type
- Boost setting for lighting and re-fuelling
- Stainless steel baffle
- Heat output 7.0 - 9.0kW
- Maximum log length: 430mm (17")
- Firebrick log tray with primary air feed (woodburning model)
- Parallel riddling bars (multi-fuel model)
- Optional ceramic glass top
- Optional decorative flue ring cover†
- Optional Riva Plinth with matching glass front
- Optional Riva Benches
- Optional external air kit
- Contemporary flue pipe options
- Top or rear flue connection: internal Ø 152mm (6")

\* When fitted with a Smoke Control Kit and used in accordance with the user instructions.

† Not compatible with the optional glass top plate

### Large image:

Riva Vision Medium Woodburning on Riva 100 High Bench with Modern LineGloss Black Flue Pipe

### Small image:

Riva Vision Medium Woodburning



PRODUCT CODES	Woodburner	Multi-fuel
Riva Vision MEDIUM	RVN-MEDW	RVN-MEDM
Options:		
Ceramic glass top (top flue)	RVN-MEDGB	RVN-MEDGB
Ceramic glass top (rear flue)	RVN-MEDGBR	RVN-MEDGBR
Decorative flue ring cover	RVAC220B	RVAC220B
External air kit	RVN-MEDAIR	RVN-MEDAIR
Smoke Control Kit	-	RVN-MEDMSCKIT
Riva Benches & Plinths	See page 20	See page 20
Flue pipe options	See Stovax Professional XQ brochure	





# RIVA BENCHES & PLINTHS



These stunning benches and plinths, compatible with the Riva Vision stoves range, offer infinitely greater possibilities for designers and homeowners alike. With several designs and sizes, you can be sure to accommodate your individual styling requirements.

## RIVA BENCH FEATURES

- Sturdy steel construction
  - Durable matching black finish
  - Dimensions:
    - 450/1000/1200/1400 x 250/350 x 420mm\*
    - 1800 x 250/350 x 465mm\*
  - Proportioned 60mm wide legs
  - Allows for central or offset stove positioning
- \*(WxHxD)*

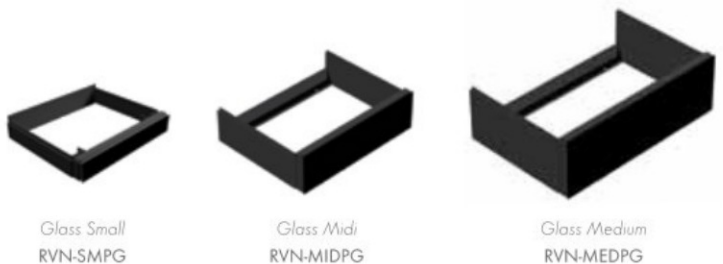
PRODUCT CODES	LOW	HIGH
Riva Bench 45 <sup>†</sup>	RVACLB45B	RVACB45B
Riva Bench 100	RVACLB100B	RVACB100B
Riva Bench 120	RVACLB120B	RVACB120B
Riva Bench 140	RVACLB140B	RVACB140B
Riva Bench 180	RVACLB180B	RVACB180B

<sup>†</sup> Suitable for Vision Small and Midi only



## RIVA GLASS PLINTH FEATURES

- Sturdy steel construction with durable matching black finish
- Small, Midi & Medium sizes compatible respectively
- Glass front matching the Riva Vision door
- Small: 371 x 50 x 311mm (WxHxD)
- Midi: 416 x 100 x 331mm (WxHxD)
- Medium: 525 x 150 x 349mm (WxHxD)



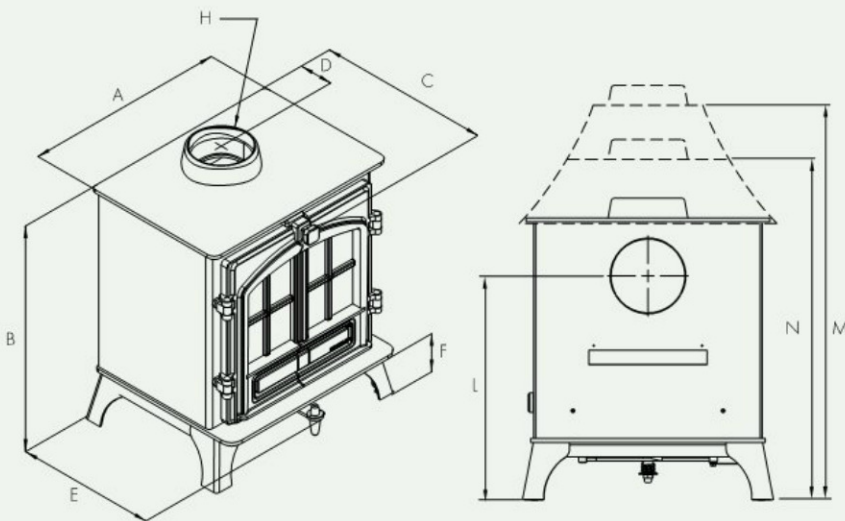


# TECHNICAL INFORMATION

## INSTALLING YOUR RIVA STOVE

A HETAS approved installer should undertake a site survey prior to purchase and must install your Riva Stove for you. Your Stovax retailer will be able to offer advice on this. You may also view or download complete installation instructions at our website - [www.stovax.com](http://www.stovax.com). The diagrams below cover some of the basic requirements. All fires and stoves consume air as they burn. To comply with Building Regulations (Document J), therefore, if you are purchasing a stove with a maximum heat output in excess of 5.0kW, you will need to install a fixed air vent to ensure adequate ventilation. Alternatively, you can complement your installation by fitting the optional External Air Kit, offering a discreet and draught reducing solution to standard room venting.

### RIVA | PLUS



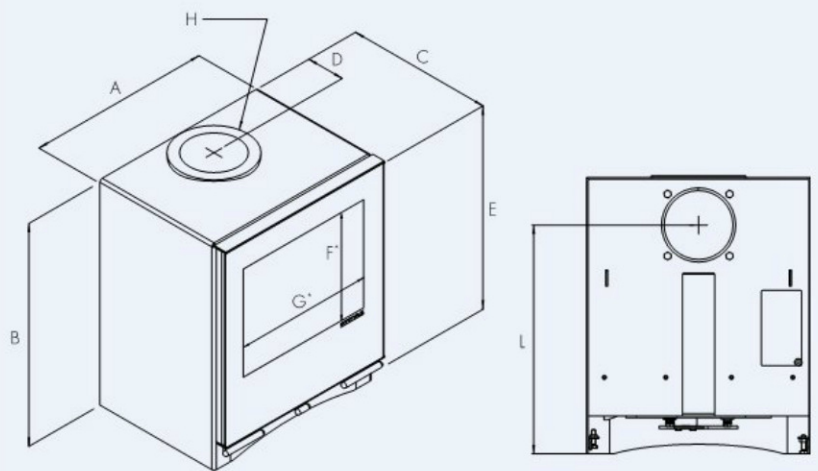
#### STOVE DIMENSIONS

	Small	Midi	Medium	Large
A.....	420mm	495mm	585mm	640mm
B.....	551mm	573mm	622mm	687mm
C.....	338mm	369mm	394mm	463mm
D.....	128mm	123mm	125mm	150mm
E.....	378mm	419mm	453mm	499mm
F.....	105mm	117mm	140mm	166mm
H.....	128mm	128mm	128mm	153mm
L.....	438mm	455mm	506mm	549mm
M.....	723mm	802mm	900mm	1013mm
N.....	637mm	692mm	770mm	848mm

### RIVA | VISION

#### STOVE DIMENSIONS

	Small	Midi	Medium
A.....	371mm	416mm	525mm
B.....	474mm	513mm	600mm
B (with Plinth).....	524mm	613mm	750mm
C.....	329mm	350mm	368mm
D.....	109mm	109mm	122mm
E (door).....	441mm	470mm	553mm
F.....	236mm	246mm	309mm
G.....	261mm	316mm	408mm
H.....	128mm	128mm	153mm
L.....	385mm	425mm	496mm
L (with Plinth).....	435mm	525mm	646mm



\* Glass viewing area



*Riva Vision Medium Woodburning  
with Glass Black flue pipe on Riva Glass Plinth*



# FURTHER INFORMATION



## PRODUCT IMPROVEMENT AND GUARANTEE

Stovax pursues a policy of constant product improvement. Products supplied may therefore differ in specification from those illustrated or described in this brochure, and you should always check the final specification with your Stovax retailer.

Your Stovax retailer will provide you with a Two Year Warranty for your new stove. They will also provide a Five Year Casting\* Warranty for most cast iron components. These warranties do not include certain wearing parts such as the grate, damper, log retainer or baffle castings.

Full details of these warranties are set out on our website at [www.stovax.com](http://www.stovax.com).

The use of petrocokes in a Stovax stove will invalidate its guarantee.

\*Castings refers to the main carcass of cast iron stoves and the cast iron door in the case of steel stoves.



## FIREPLACE TILE SURROUNDS

A unique collection of 22 porcelain and natural stone tiles designed to complement your Stovax stove or fireplace. To request a brochure, simply contact your local retailer or visit [www.stovax.com](http://www.stovax.com).

## GAS AND ELECTRIC STOVES

Stovax's sister company, Gazco, produces a wide selection of stoves with the same styling as a traditional or contemporary woodburning stove but with the convenience of gas or electric fuel effects and heating. Please ask your retailer for details. Alternatively, telephone 01392 474061 or visit [www.gazco.com](http://www.gazco.com) for your free brochure.

## CARE OF YOUR RIVA STOVE

To help you get the best performance from your stove and keep it in good condition, inside and out, Stovax offers a wide range of cleaning and maintenance products. Stovax also supply a wide variety of fireplace accessories and flue pipe. Your Stovax retailer will be able to give you full details or you may view the complete range at [www.stovax.com](http://www.stovax.com).



Stovax gratefully acknowledges the assistance of the following companies with photographic settings:

Amos Lighting - [www.amoslighting.co.uk](http://www.amoslighting.co.uk) Debenhams - [www.debenhams.co.uk](http://www.debenhams.co.uk) Fagins - [www.faginsantiques.com](http://www.faginsantiques.com)

Furniture Village - [www.furniturevillage.co.uk](http://www.furniturevillage.co.uk) Habitat - [www.habitat.co.uk](http://www.habitat.co.uk) House of Fraser - [www.houseoffraser.co.uk](http://www.houseoffraser.co.uk)

John Lewis - [www.johnlewis.co.uk](http://www.johnlewis.co.uk) Laura Ashley - [www.lauraashley.com](http://www.lauraashley.com) Orange Tree - [www.theorangetree.co.uk](http://www.theorangetree.co.uk)

Original Style - [www.originalstyle.com](http://www.originalstyle.com) Gulliford Hi-Fi - [www.gullifordhifi.co.uk](http://www.gullifordhifi.co.uk) Rudloe Stone Fireplaces - [www.rudloe-stone.com](http://www.rudloe-stone.com)

Merchant House Antiques - [www.merchanthouseantiques.co.uk](http://www.merchanthouseantiques.co.uk)



Riva Plus Large Woodburning shown with window crosses

Your Stovax stockist:



£2.00



To view & download our complete range of brochures, simply scan this code or visit [www.stovax.com](http://www.stovax.com)

# STOVAX

*Fire Your Imagination*

**Stovax Limited**  
Falcon Road, Sowton Industrial Estate,  
Exeter, Devon, England EX2 7LF

**Trade Sales** Tel: 01392 474000  
**Export Sales** Tel: 00 44 1392 261990  
**Other depts** Tel: 01392 474011  
Fax: 01392 219932  
Email: [info@stovax.com](mailto:info@stovax.com)

A member of the Stovax Group  
[www.stovax.com](http://www.stovax.com)

